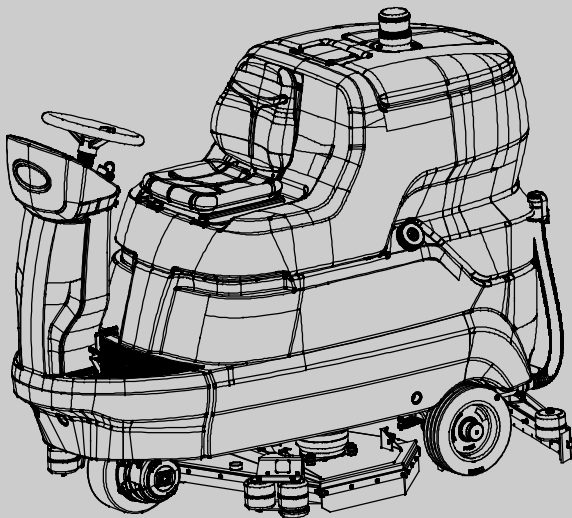




T1581

Rider Floor Scrubber

Parts Manual



Model Part No.:

- LPTB03501 - SCRUBBER [T581 105CM DISK, W/O BATT, EMEA]
- LPTB03502 - SCRUBBER [T581, 100CM CYL, W/O BATT, EMEA]
- LPTB03503 - SCRUBBER [T581 105CM DISK, 240AH GEL, EMEA]
- LPTB03504 - SCRUBBER [T581, 100CM CYL, 240AH GEL, EMEA]
- LPTB03505 - SCRUBBER [T581 105CM DISK, EC- H2O NANOCLEAN/CHEM DOSE, 320AH WET, EMEA]
- LPTB03506 - SCRUBBER [T581 100CM CYL, EC- H2O NANOCLEAN/CHEM DOSE, 320AH WET, EMEA]
- LPTB03534 - SCRUBBER [T581 105CM DISK, CHEM DOSE, 320AH WET, EMEA]
- LPTB03535 - SCRUBBER [T581 100CM CYL, CHEM DOSE, 320AH WET, EMEA]
- LPTB03539 - SCRUBBER [T581 105CM DISK, EC- H2O NANOCLEAN/CHEM DOSE, 240AH GEL, EMEA]

TennantTrue® Parts

Europe



To view, print or download
the parts manual, visit:

www.tennantco.com/manuals

9022705
Rev. 01 (03-2024)

Only use TENNANT Company supplied or equivalent parts. Parts and supplies may be ordered online, by phone or from any Tennant Authorized Service Center or Distributor.

Before Ordering any parts or supplies, be sure to have the machine model number and serial number available.

Serial Number Label Location

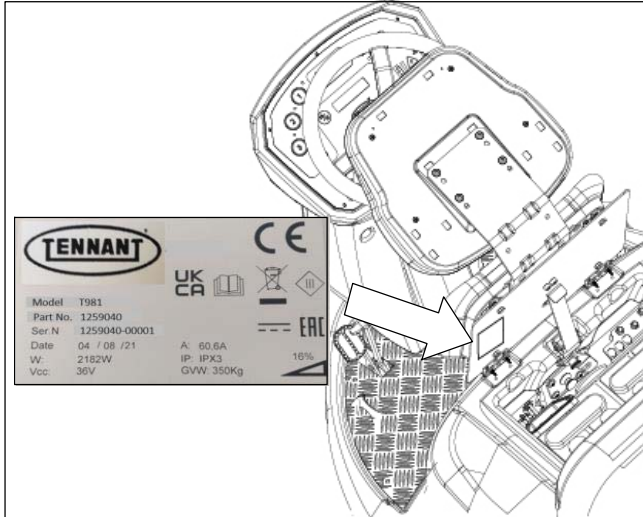


TABLE OF CONTENTS

RECOMMENDED MAINTENANCE ITEMS 1

BRUSHES / PAD DRIVER AND PADS 3

RECOVERY TANK GROUP 4

SOLUTION TANK GROUP 8

FRAME GROUP 12

DRIVE WHEEL / STEERING GROUP 16

DRIVE WHEEL BREAKDOWN (MOCC00385) .. 18

STEERING COLUMN GROUP (105CM Disk) ... 20

STEERING COLUMN GROUP (100CM Cyld) ... 22

ACCELERATOR PEDAL BREAKDOWN
(MPVR02056) 24

CONTROL PANEL GROUP (Standard) 26

CONTROL PANEL GROUP (Chem Dose Model) 28

CONTROL PANEL GROUP, WITH ec- H2O 30

ELECTRICAL COMPONENT AND HARNESS
GROUP 32

SCRUB HEAD LIFT AND BUMPER GROUP
(105cm Disk Model) 34

SCRUB HEAD LIFT AND BUMPER GROUP
(100cm Cylindrical Brush Model) 36

SCRUB HEAD GROUP (105cm Disk Model) 38

SCRUB HEAD GROUP (100cm Cyld Brush) 42

SIDE BRUSH GROUP (100cm Cyld Brush) 46

SQUEEGEE LIFT BRACKET GROUP 50

SQUEEGEE GROUP 54

CHEM DOSE GROUP 56

EcH2O NANOCLEAN GROUP 58

ec- H2O NANOCLEAN MODULE
BREAKDOWN 9021553 60

BATTERY COMPARTMENT GROUP
(105cm Disk Model) 62

BATTERY COMPARTMENT GROUP
(100cm Cylindrical Brush Model) 64

BATTERY GROUP, PACK WET, 36V 320A/C5 .. 66

BATTERY GROUP, GEL 6V 240A/C5 67

ELECTRICAL DIAGRAM 68

ELECTRICAL DIAGRAM, WITH ec- H2O 69

Tennant Company N.V.

Industrielaan 6 5405 AB
P.O. Box 6 5400 AA
Uden- The Netherlands

europa@tennantco.com

Specifications and parts are subject to change without notice.

Copyright © 2024 TENNANT Company

RECOMMENDED MAINTENANCE ITEMS

GENERAL RECOMMENDED MAINTENANCE ITEMS

Part No.	Mfr. Date	Description	Qty.
KTRI06595	()	Sqge Asy W/ Linatex Blades, 100,105	1
MPVR06557	()	Blade Squeegee Linatex Front (Standard)	1
MPVR05908	()	Blade Front Squeegee Latex 230 (Option)	1
MPVR05934	()	Blade Squeegee Front Ct230- 105 Pu (Option)	1
MPVR06558	()	Blade Squeegee Linatex Rear 105 (Standard)	1
MPVR05909	()	Blade Rear Squeegee Latex Ct230 (Option)	1
MPVR05935	()	Blade Squeegee Rear Ct230- 105 Pu (Option)	1
BAAC00113	()	Battery 36v 320a/C5 With Filling	1
BACA00127	()	Battery- Charger Cbn4 36v 35a Wa (For Wet Battery)	1
BAAC00017	()	Battery, GEL, 240AH, 6V	6
897205	()	Wiring Battery Bridge W/Terminal	5
BACA00289	()	Charger, 36vdc 30a, Gel Batteries	1
▼ MOCC00385	()	Motorwheel 36v 1100 W D.300	1
▲ MEVR34439	()	Carbon 10x18x19	4
▲ RTRT00442	()	Wheel Pu Blue Ct230 300x100	1
▲ CUVR00194	()	Clamp 2.5x100	1
▼ MOCC00495	()	Vacuum Ametek By2 It Dc 650w 36v	1
▲ MEVR02612	()	Vacuum Motor My2019 Carbon Brush	1
FTDP00880	()	Filter	1
GUG000509	()	Gasket Vacuum Motor [T291/T391]	1
TBFX01361	()	Hose, Squeegee	1
GUG000722	()	Gasket, Lid	1
▼ FTAC00038	()	Strainer, Solution Tank G1/2	1
▲ FTAC00047	()	Screen, Filter	1
9017737	()	Float, Shutoff (Recovery Tank)	1
9017790	()	Sensor, Level, Liq (Solution Tank)	1
TBBP00487	()	Tube Drain Pu Ct230 (Recovery Drain Hose)	1
KTRI05576	()	Kit Potentiometer Speed Contr	1
MECB01227	()	Potentiometer, Traction	1
MECB01228	()	Contact, Micro, Pedal	1
MEEV00043	()	Valve, Solenoid	1
RTRT00518	()	Wheel Swivel	2
MPVR07212	()	Tube, Air Outlet	1
TBBP00391	()	Hose Assy, Drain, Sol Tank	1
MOCC00394	()	Actuator, Squeegee 36v	1
MOCC00388	()	Actuator Brush Head 36v 1500n	1
RTRT00795	()	Wheel 305/80- 205/K	2
PPEL00025	()	Pump Est, 36v	1
MECE00526	()	Panel, Power Service	1
KTRI06405*	()	Kit, Display	1
KTRI06415	()	Kit, Display Board	1
KTRI06416*	()	Kit, Board, Logic	1
KTRI06417*	()	Kit, Board Interface	1
METT00086	()	Contact 100a	1
CUVR00187	()	Bearing -	2
GUG000702	()	Gasket	1
METT00135	()	Fuse 2a	1
METT00138	()	Fuse 50a	2
METT00132	()	Fuse 30a	1
MEVR00146	()	Fuse Box	1
MEVR01925	()	Fuse 150a	1
MEVR00145	()	Fuse 100a	1

RECOMMENDED MAINTENANCE ITEMS

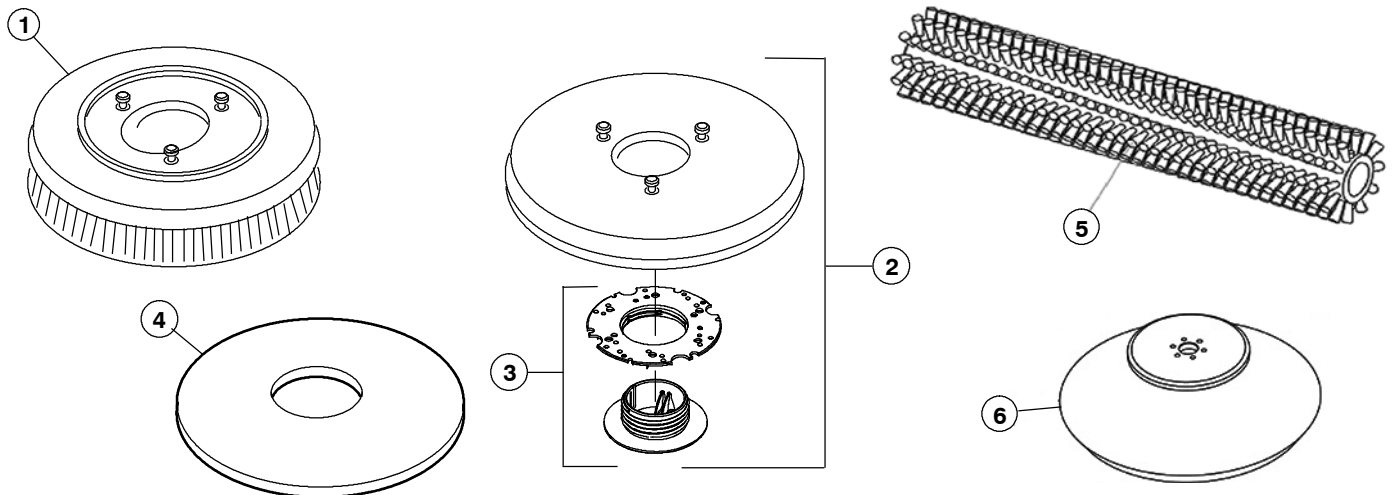
105CM DISK MODEL RECOMMENDED MAINTENANCE ITEMS

Part No.	Mfr. Date	Description	Qty.
SPPV01545	()	Brush Apc D.530(21) Ct230 Pp 0	2
SPPV01546	()	[G01486]Scrubbing Brush Med Nylon 0.5mm	2
SPPV01547	()	Brush Apc D,530,21 Inch Ct230	2
SPPV01548	()	[G09649]Tynex 0,8 , Grit 240	2
SPPV01549	()	[G09650]Tynex 0,6 , Grit 320	2
SPPV01550	()	Brush, Soft, T 80 Bt 57, Ct 230 Bt 105	2
SPPV01154	()	Pad Driver Disc 530mm- 21	2
SPPV01433	()	Pad, Buff, 21/533, Red [5pc]	1
SPPV01415	()	Pad, Polish, 21/533, White [5pc]	1
SPPV01442	()	Pad, Scb, 21/533, Blu [5pc]	1
SPPV01460	()	Pad, Strip, 21/533, Brown[5pc]	1
SPPV01469	()	Pad, Strip, 21.0d, Black [Qty 5]	1
SPPV01451	()	Pad, Polish, 21.0d, Green [Qty 5]	1
SPPV01424	()	Pad, 21.0d, Beige [Qty 5]	1
MPVR05037	()	Flap (Left)	1
MPVR05038	()	Flap (Right)	1
MPVR05035	()	Flap (Rear)	1
▼ MOCC00195	()	Motor	2
▲ MEVR05203	()	Brush, Motor, Carbon	2

100CM CYLINDRICAL MODEL RECOMMENDED MAINTENANCE ITEMS

Part No.	Mfr. Date	Description	Qty.
SPPV01330	()	[G09595]Ppl Soft0,3mm	2
SPPV01331	()	Cylindrical Brush Medium[230006]	2
PMVR00283	()	Brush, Side, Ppl	2
PMVR07065	()	Brush, Side, Mix Ppl/Steel, Abr	2
MPVR06263	()	Flap Sx Ct230 (Left)	1
MPVR06262	()	Flap Dx Ct230 (Right)	1
MPVR06304	()	Ring -	1
MPVR06304	()	Ring -	1
KTRI05006	()	Kit, Driver Roll	2
LAFN08087	()	Roller -	2
▼ MOCC00421	()	Motor -	1
▲ MOCC00344	()	Carbon Brush 00701535	1
MTCG00137	()	Belt[230223]	1
CUVR46942	()	Bearing, Main Brush, Pulley	2
CUVR19846	()	Ball Bearing 6004 2rs1	8
MOCC00367	()	Motor (Left)	1
MOCC00366	()	Motor (Right)	1

BRUSHES / PAD DRIVER AND PADS



105cm Disk Model

Ref.	Part No.	Mfr. Date	Description	Qty.
1	SPPV01545	()	Brush Assy, Disk, PPL, Soft, 53cm	2
1	SPPV01546	()	Brush Assy, Disk, PPL, Medium, 53cm	2
1	SPPV01547	()	Brush, Abrv, 53cm (Tynex 120)	2
1	SPPV01548	()	Brush, Abrv, 53cm (Tynex 240)	2
1	SPPV01549	()	Brush, Abrv, 53cm (Tynex 320)	2
1	SPPV01550	()	Brush, Disk, Pes, Mix 5, 48cm	2
∇	2	SPPV01154	() Pad Holder, 53cm	2
▲	3	MPVR04717	() Screw, Fixed, Disk	1
4	SPPV01433	()	Pad, Red, Buffing, 21.0/533 [Box=4pc]	1
4	SPPV01415	()	Pad, White, Polish, 21.0/533 [Box=4pc]	1
4	SPPV01442	()	Pad, Blue, Scrub, 21.0/533 [Box=4pc]	1
4	SPPV01460	()	Pad, Brown, Strip, 21.0/533 [Box=4pc]	1
4	SPPV01469	()	Pad, Strip, 21.0d, Black [Qty 5]	1
4	SPPV01451	()	Pad, Polish, 21.0d, Green [Qty 5]	1
4	SPPV01424	()	Pad, 21.0d, Beige [Qty 5]	1

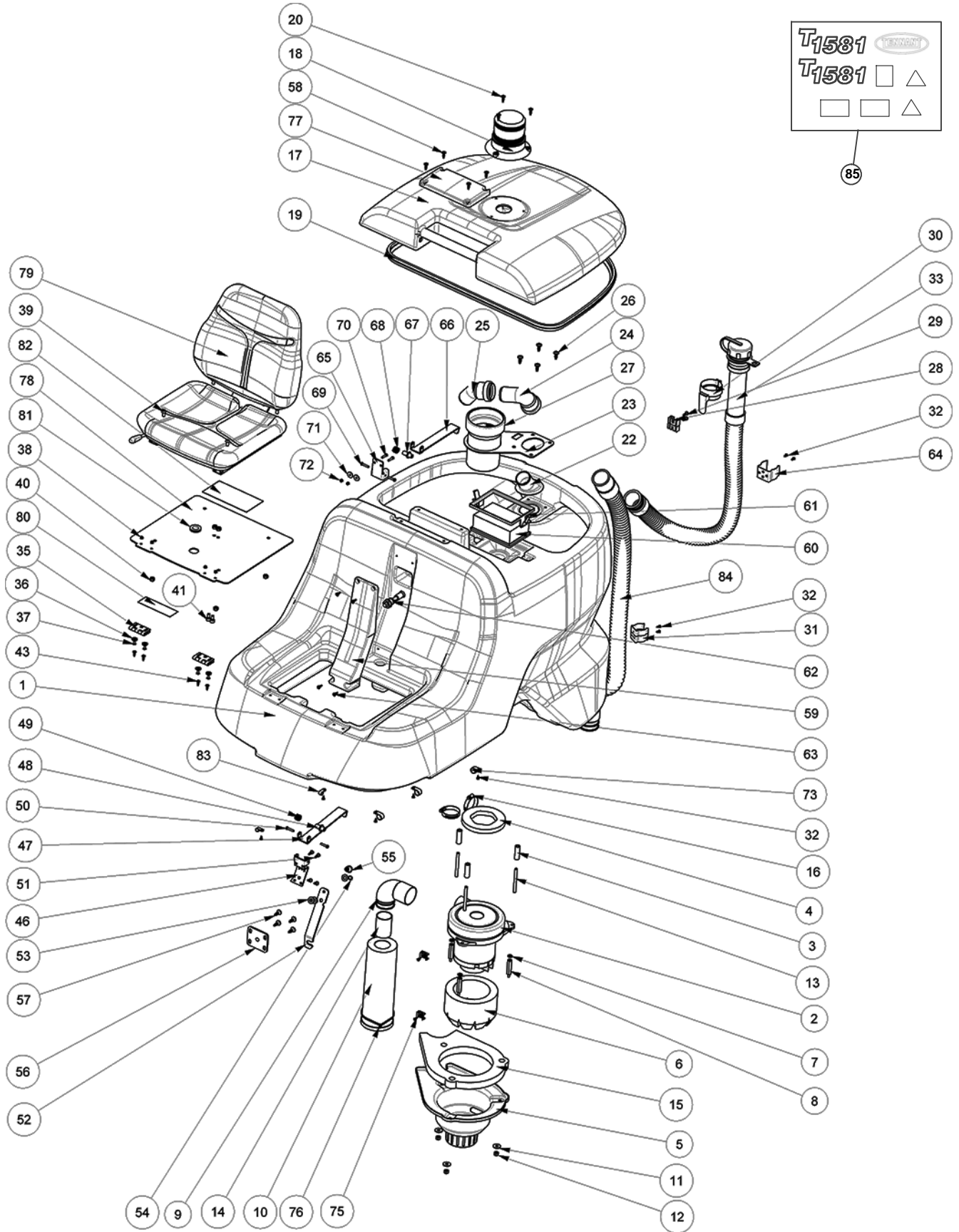
100cm Cylindrical Brush Model

Ref.	Part No.	Mfr. Date	Description	Qty.
5	SPPV01330	()	Brush, Cyl, Soft, 100cm [Qty 5]	2
5	SPPV01331	()	Brush, Cyl, Med, PPL, 100cm [Qty 2]	2
6	PMVR00283	()	Brush, Side, Ppl	2
6	PMVR07065	()	Brush, Side, Mix Ppl/Steel, Abr	2

∇ ASSEMBLY

▲ INCLUDED IN ASSEMBLY

RECOVERY TANK GROUP



RECOVERY TANK GROUP

Ref.	Part No.	Mfr. Date	Description	Qty.
	1	MPVR13428	() Tank, Recovery	1
▽	2	MOCC00495	() Vacuum Ametek By2 It Dc 650w 36v	1
▲		MEVR02612	() Motor, Vacuum, Carbon Brush	1
	3	LAFN03760	() Spacer, Wheel	3
	4	GUG000509	() Gasket, Vacuum, Motor	1
	5	MPVR13460	() Crankcase	1
	6	ITS000110	() Dampner	1
	7	897216	() Washer, D. 8, Grw, Uni1751, Inox	3
	8	LAFN11920	() Spacer Ch13 F8 M6 H52	3
	9	MPVR13497	() Sleeve 90	1
	10	MPVR07212	() Tube, Air Outlet	1
	11	897120	() Washer, D.8x24, Uni6593, Inox	3
	12	VTDD01701	() Nut M8 Inox+Zin.	3
	13	VTVR01089	() Bar M8x90	3
	15	ITS000111	() Dampner	1
	16	897448	() Clamp, Hose, Wormdrive, 45 - 60d	2
	17	MPVR13429	() Cover, Recovery Tank	1
	18	MELF00053	() Light, Flashing	1
	19	GUG000722	() Gasket, Lid	1
	20	VTVT01591	() Screw Sts Kn1038 6x20 T25 A2	3
	22	MPVR13448	() Flange	1
	23	LAFN11884	() Support	1
	24	RCVR00764	() Connector	1
	25	RCVR00765	() Connector	1
	26	VTVT01430	() Screw Sts Kn1038 8x22 - T40 A2	4
	27	FTAC00082	() Filter, Water	1
	28	MPVR11684	() Joint, Tube	1
	29	VTVT01073	() Screw Sts Kn1039 6x16 - T25 A2	2
	30	MPVR13105	() Hook	1
	31	9017721	() Clip, Hose, Recvy	1
	32	VTVT48694	() Screw Tcb Tc 5 X12 Uni 9707 Tz	11
	33	TBBP00487	() Tube Drain Pu Ct230 (Recovery Drain Hose)	1
	35	CEVR00060	() Hinge, Seat	2
	36	897152	() Washer, D.8, Uni6592, Inox	4
	37	897658	() Screw, M5x12, Tspei, Uni5933	4
	38	VTDD01693	() Nut M 5 Inx	4
	39	VTVT00779	() Screw Tbei M 8x 16 Iso 7380 lx	4
	40	VTDD01701	() Nut M8 Inox+Zin.	6
	41	897347	() Screw, Tcei, M.8x16	2
	43	VTVT01072	() Screw Sts Kn1038 5x16 - T20 A2	4
	46	LAFN11886	() Bracket	1
	47	LAFN11169	() Rod	1
	48	LAFN11170	() Bushing	1
	49	MLML00488	() Spring	1

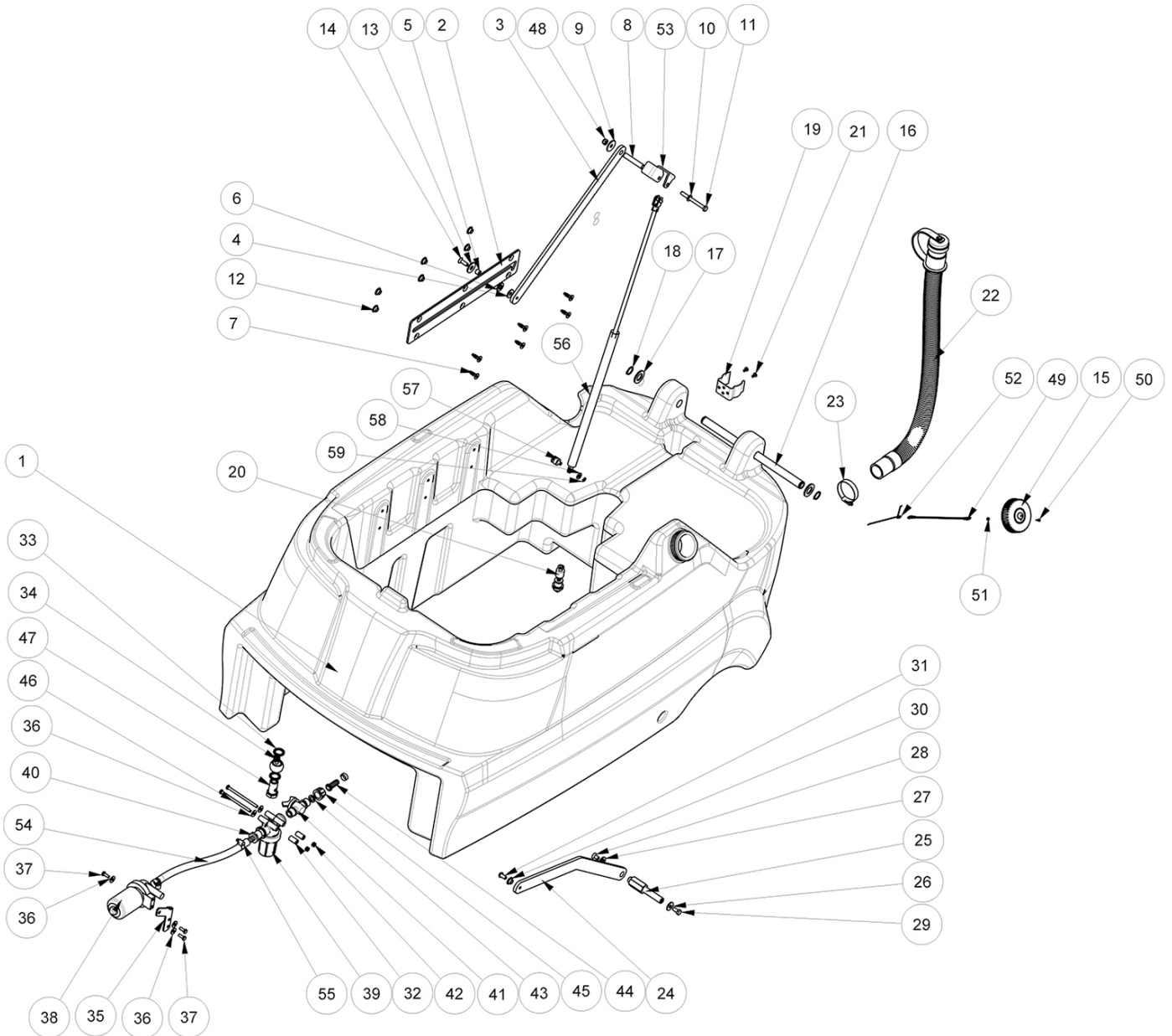
▽ ASSEMBLY

▲ INCLUDED IN ASSEMBLY

RECOVERY TANK GROUP - Contd

Ref.	Part No.	Mfr. Date	Description	Qty.
50	VTVT00766	()	Screw Te M. 5- 25	2
51	VTVT01073	()	Screw Sts Kn1039 6x16 - T25 A2	4
52	LAFN11887	()	Lever	1
53	897432	()	Washer, D. 10x21, Uni6592, Inox	3
54	VTAE87276	()	Seeger Ext. D10 Din471	1
55	PIVR00025	()	Piston	1
56	LAFN11888	()	Lever	1
57	VTVT01430	()	Screw Sts Kn1038 8x22 - T40 A2	4
58	VTVT01591	()	Screw Sts Kn1038 6x20 T25 A2	4
59	MPVR13450	()	Seat	1
60	FTDP00880	()	Filter	1
61	MPVR13447	()	Frame	1
62	9017737	()	Float, Shutoff	1
63	VTVT01072	()	Screw Sts Kn1038 5x16 - T20 A2	4
64	FSVR44166	()	Clip, Hose D.50	1
65	LAFN11889	()	Bracket	1
66	LAFN11169	()	Rod	1
67	LAFN11170	()	Bushing	1
68	MLML00488	()	Spring	1
69	VTVT00766	()	Screw Te M. 5- 25	2
70	897170	()	Screw, Te, M5x20	2
71	VTVR00636	()	Washer 5x20 Uni6593 Inox	2
72	VTDD01693	()	Nut M 5 Inx	2
73	897137	()	Clamp Fermatubo	3
75	FSVR00243	()	Base Cable Tie, Plastic	2
76	FSVR00247	()	Clamp 4.5x360	1
77	MPVR13449	()	Cover	1
78	LAFN11885	()	Plate, Sheet Metal	1
79	SESD45981	()	Seat Sc 73 L.14	1
80	N/A	()	Label (Order Label Kit KTRI06603)	1
81	MEVR00660	()	Cap	1
82	N/A	()	Label (Order Label Kit KTRI06603)	1
83	897334	()	Duct Lock D.9,5	2
84	TBFX01361	()	Hose, Squeegee	1
85	KTRI06603	()	Label Kit. Tank [T1581]	1

SOLUTION TANK GROUP



Ref.	Part No.	Mfr. Date	Description	Qty.
1	MPVR13427	()	Tank, Soltn	1
2	LAFN11878	()	Guide	1
3	LAFN11879	()	Rod	1
4	897120	()	Washer, D.8x24, Uni6593, Inox	1
5	LAFN09160	()	Bushing	1
6	897215	()	Washer, D.12x24, Uni6592, Inox	2
7	VTVT01608	()	Screw Sts- Plus Kn6041 8x25	6
8	LAFN11880	()	Spacer	1
9	897375	()	Washer, D. 8 X32, Uni6593, Inox	1
10	897216	()	Washer, D. 8, Grw, Uni1751, Inox	1
11	VTVT00734	()	Screw Te M. 8- 80	1
12	897218	()	Bushing, Brush Deck Support	6

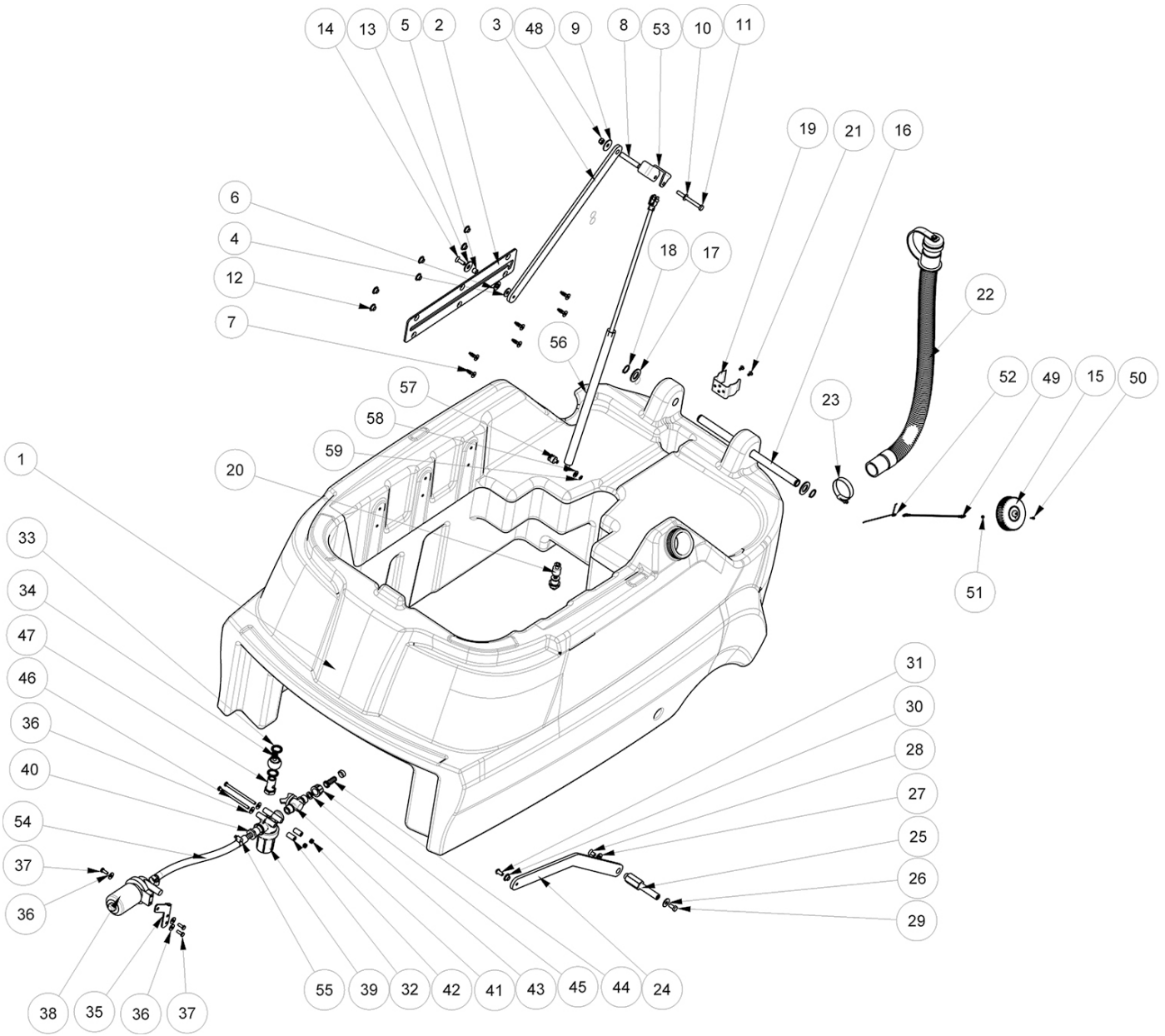
SOLUTION TANK GROUP

Ref.	Part No.	Mfr. Date	Description	Qty.	
1	MPVR13427	()	Tank, Soltn	1	
2	LAFN11878	()	Guide	1	
3	LAFN11879	()	Rod	1	
4	897120	()	Washer, D.8x24, Uni6593, Inox	1	
5	LAFN09160	()	Bushing	1	
6	897215	()	Washer, D.12x24, Uni6592, Inox	2	
7	VTVT01608	()	Screw Sts- Plus Kn6041 8x25	6	
8	LAFN11880	()	Spacer	1	
9	897375	()	Washer, D. 8 X32, Uni6593, Inox	1	
10	897152	()	Washer, D.8, Uni6592, Inox	1	
11	VTVT00734	()	Screw Te M. 8- 80	1	
12	897218	()	Bushing, Brush Deck Support	6	
13	897391	()	Washer D.10	1	
14	VTVT00781	()	Screw Tspei M.8- 25	1	
15	MPVR13483	()	Cap	1	
16	LAFN11881	()	Pin	1	
17	897288	()	Washer, Uni6592, Foro 20, Inox	2	
18	VTAE00105	()	Ring D20 Uni7435 Aisi420	2	
19	FSVR44166	()	Clip, Hose D.50	1	
20	9017790	()	Sensor, Level, Liq	1	
21	VTVT01432	()	Screw 50x10	2	
22	TBBP00391	()	Hose, Solution Tank [T681]	1	
23	FSVR00095	()	Clamp 30- 45	1	
24	LAFN11882	()	Rod	1	
25	LAFN11883	()	Pin	1	
26	897120	()	Washer, D.8x24, Uni6593, Inox	1	
27	897215	()	Washer, D.12x24, Uni6592, Inox	1	
28	897394	()	Screw, Tspei, M8x16	1	
29	897184	()	Screw, Te, M8x16, Uni5739, A2	1	
30	897218	()	Bushing, Brush Deck Support	1	
31	VTVT00779	()	Screw Tbei M 8x 16 Iso 7380 lx	1	
32	LAFN09490	()	Spacer	2	
33	897458	()	Washer 1/2	2	
34	RCDS34666	()	Connector	1	
35	LAFN09210	()	Bracket	1	
36	897112	()	Washer, Flat, 6,00x18,00x1,6	5	
37	897128	()	Screw Te 6x16 Uni5739	3	
38	PPEL00025	()	Pump Est, 36v	1	
▽	39	FTAC00038	()	Filter, Strainer, Assy, Sltm G1/2	1
▲		FTAC00047	()	Screen, Filter	1
40	RCVR00547	()	Connector Portag. Dirit	1	
41	9018454	()	Water, Valve, Soltn	1	
42	897105	()	Nut, M6, Inox	2	
43	GUG000427	()	Gasket	1	
44	RCVR00744	()	Contacto	1	

▽ ASSEMBLY

▲ INCLUDED IN ASSEMBLY

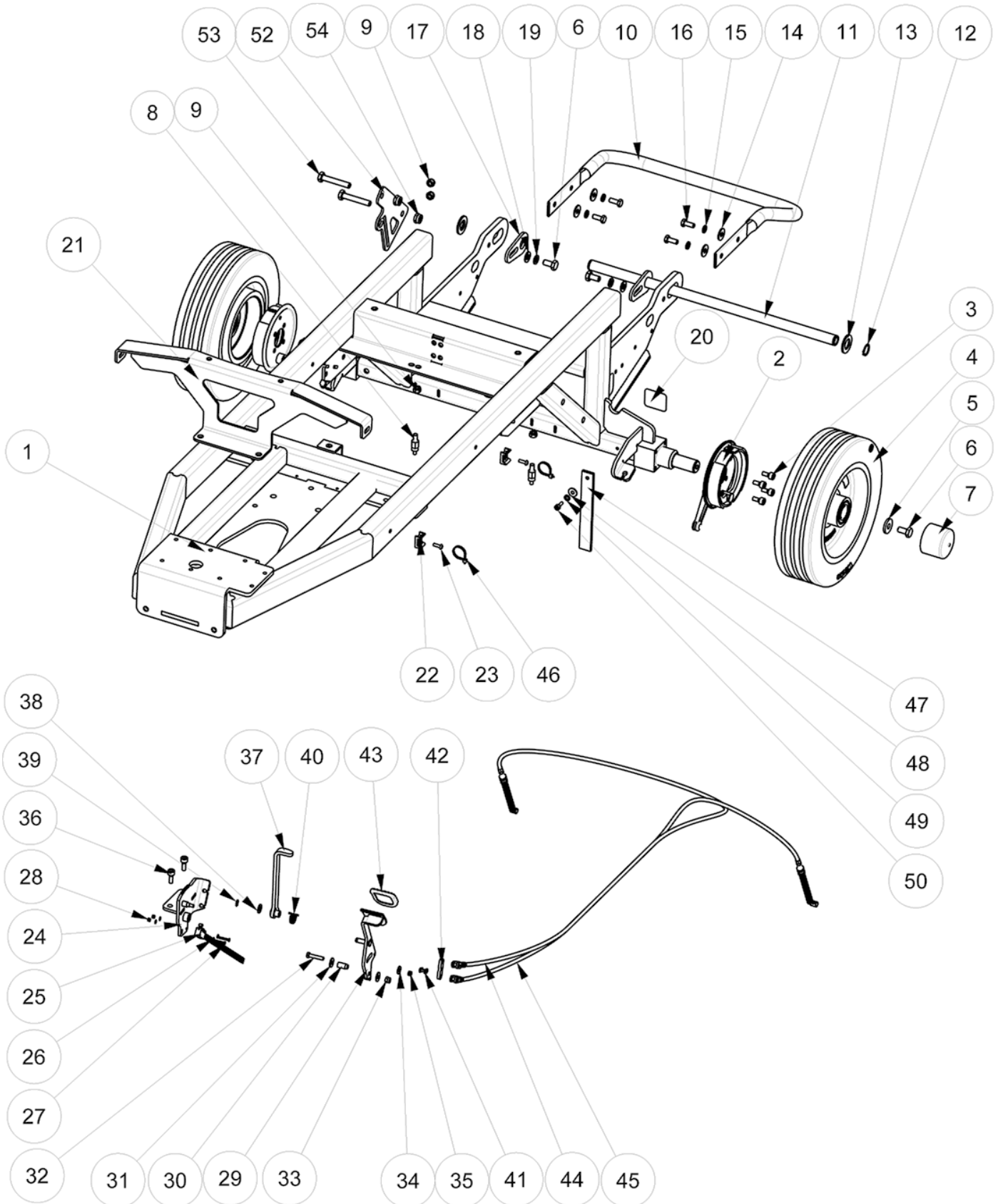
SOLUTION TANK GROUP - Contd



SOLUTION TANK GROUP - Contd

Ref.	Part No.	Mfr. Date	Description	Qty.
45	MPVR05240	()	Ring Nut G1/2	1
46	VTVT01437	()	Screw Te M6x100	2
47	RCDS40286	()	Screw 1/2 C/Sc. L=46.0 D.13.5	1
48	VTDD01701	()	Nut M8 Inox+Zin.	1
49	LAFN12018	()	Chain	1
50	897203	()	Screw	1
51	9018496	()	Nut, Strap, Sqge	1
52	LAFN12017	()	Spring	1
53	LAFN12011	()	Plate	1
55	FSVR00096	()	Clamp 10- 16 Inox	2
56	MLML00551	()	Spring F500n	1
57	LAFN12010	()	Pin	1
58	897152	()	Washer, D.8, Uni6592, Inox	1
59	VTAE00059	()	Ring A/2	1

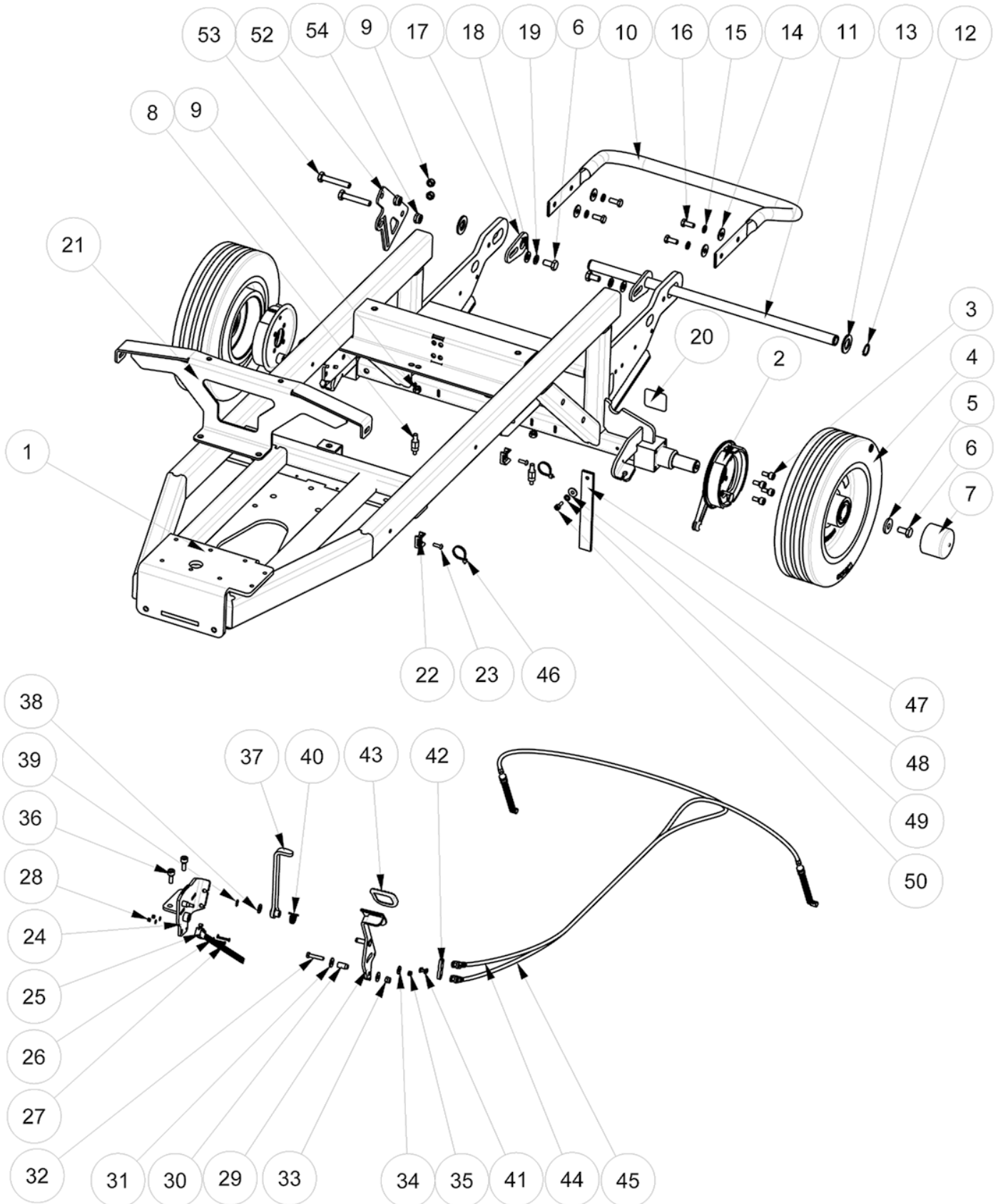
FRAME GROUP



FRAME GROUP

Ref.	Part No.	Mfr. Date	Description	Qty.
1	LAFN11872	()	Frame	1
2	RTRT45090	()	Block, Brake	2
3	897347	()	Screw, Tcei, M.8x16	8
4	RTRT00795	()	Wheel 305/80- 205/K	2
5	LAFN04144	()	Washer, Rear Wheels	2
6	VTVT13936	()	Screw, M10x20	4
7	MPVR12162	()	Cap 60,34x44,46	2
8	LAFN11739	()	Pin	2
9	VTDD01701	()	Nut M8 Inox+Zin.	4
10	LAFN11876	()	Bumper	1
11	LAFN11877	()	Pin	1
12	VTAE00105	()	Ring D20 Uni7435 Aisi420	2
13	897288	()	Washer, Uni6592, Foro 20, Inox	2
14	897120	()	Washer, D.8x24, Uni6593, Inox	4
15	897216	()	Washer, D. 8, Grw, Uni1751, Inox	4
16	897316	()	Screw, Te, M8x20, Uni5739, Inox	4
17	LAFN11875	()	Plate	2
18	897432	()	Washer, D. 10x21, Uni6592, Inox	2
19	897392	()	Washer D.10	2
20	N/A	()	Label (Order Label Kit KTRI06603)	2
21	LAFN11873	()	Bracket	1
22	FSVR00243	()	Base Cable Tie, Plastic	2
23	897329	()	Screw, Tbei, M5x16, Inox	2
24	LAFN05766	()	Support Pedale Cpl	1
25	MECI44780	()	Microswitch D2vw- 5l2a- 1m Omr	1
26	VTRS00385	()	Washer Uni 6592 3,2x7x0,5 Inox	4
27	VTVT01350	()	Screw, M3x20	2
28	9018496	()	Nut, Strap, Sqge	2
29	LAFN05767	()	Pedal Brake	1
30	LAFN04142	()	Pin, Pedal Brake	1
31	897112	()	Washer, Flat, 6,00x18,00x1,6	2
32	VTVT00433	()	Screw, M6x30	1
33	08712	()	Nut, Hex, Lock, M6 X 1.00, NI, Ss	1
34	897384	()	Washer, M5x14, Inox	1
35	VTDD01693	()	Nut M 5 Inx	1
36	897377	()	Screw Tcei M8x20 Uni5931 Inox	2
37	LAFN51019	()	Pedal, Block	1
38	897152	()	Washer, D.8, Uni6592, Inox	1
39	VTAE14096	()	Clip, D.8, Din471	1

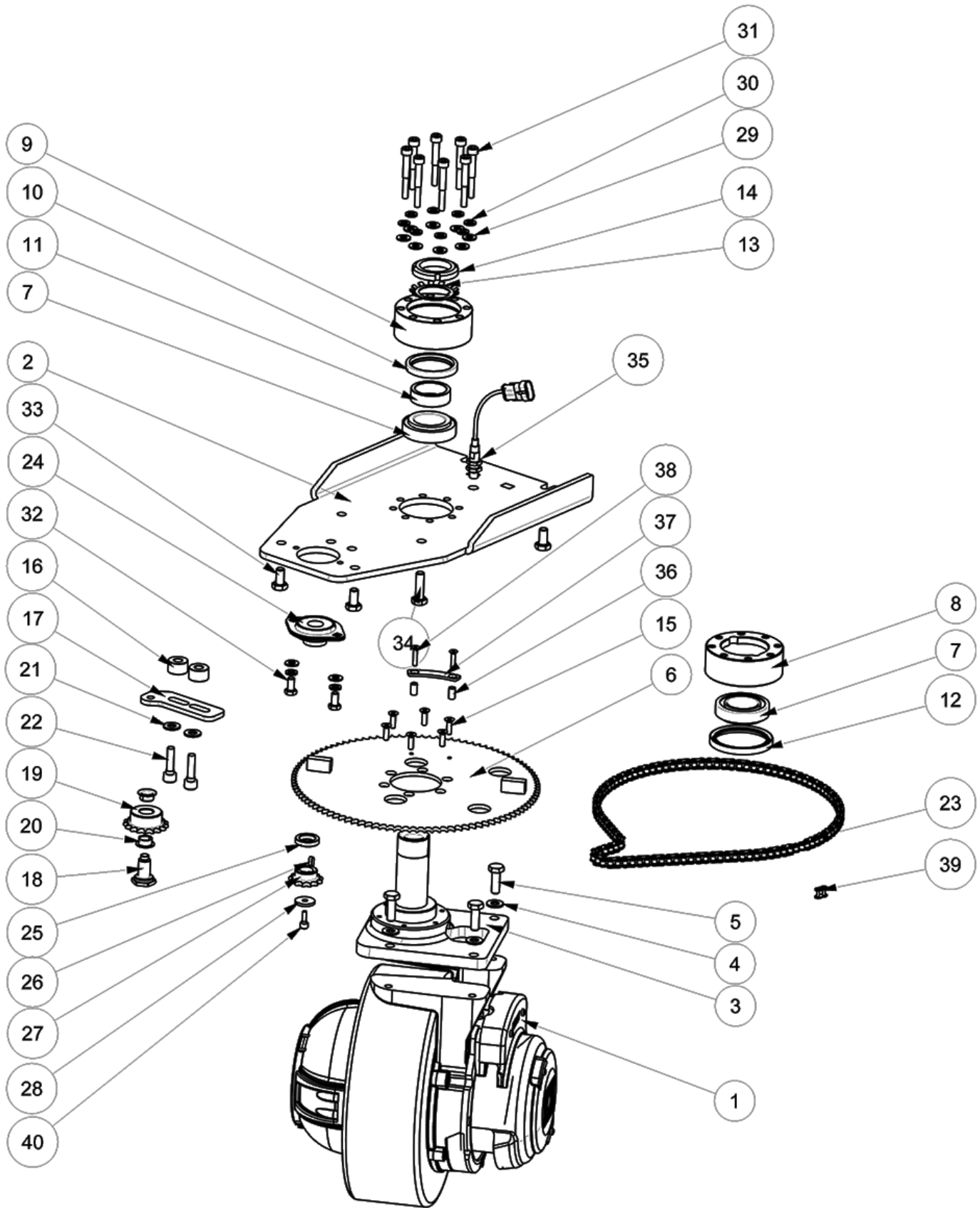
FRAME GROUP - Contd



FRAME GROUP - Contd

Ref.	Part No.	Mfr. Date	Description	Qty.
40	MLML00237	()	Spring Recall Pedal	1
41	MTCR47037	()	Warp Knitting 3/8	1
42	LAFN05769	()	Joint, Frame	1
43	MPVR45096	()	Pedal Cover Large V1021	1
44	CMCV00334	()	Cable 4x	1
45	CMCV00335	()	Cable, 4x	1
46	FSVR00050	()	Clamp 3.5x140	2
47	MPVR04693	()	Strap, Static	1
48	897112	()	Washer, Flat, 6,00x18,00x1,6	1
49	897129	()	Washer, D.6, Grw, Uni1751, Inox	1
50	897352	()	Screw, Tcei, M.6x16	1
52	LAFN12009	()	Spring, Plate	1
53	VTVT00068	()	Screw Te Uni 5739 10x60 Zb	2
54	VTDD10310	()	Nut Autobl, M10 Inox	2

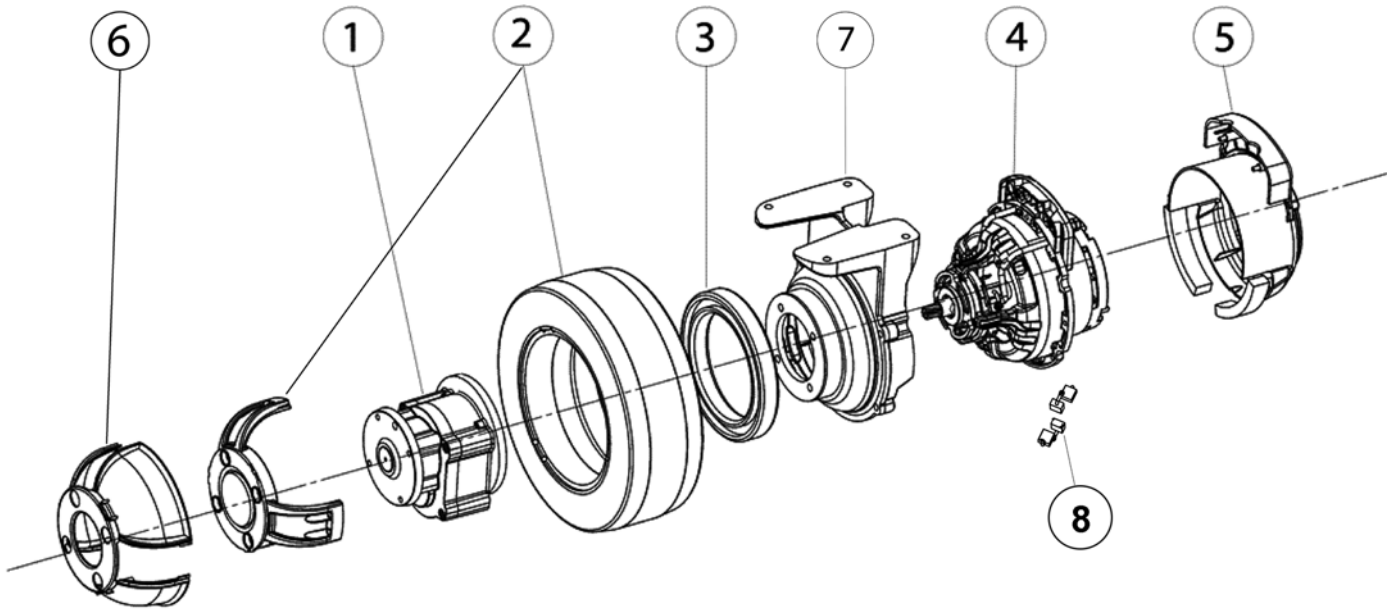
DRIVE WHEEL / STEERING GROUP



DRIVE WHEEL / STEERING GROUP

Ref.	Part No.	Mfr. Date	Description	Qty.
1	MOCC00385	()	Motorwheel 36v 1100 W D.300 (See Breakdown)	1
2	LAFN11898	()	Plate	1
3	LAFN06994	()	Spacer	1
4	897432	()	Washer, D. 10x21, Uni6592, Inox	4
5	VTVT01541	()	Screw Te, M10x30, Inox,Uni5739	4
6	LAFN06995	()	Brake	1
7	CUVR00187	()	Bearing 40x68x19	2
8	LAFN08830	()	Bushing	1
9	LAFN08829	()	Ring	1
10	PVVR00045	()	Gasket	1
11	LAFN08828	()	Bushing	1
12	PVVR00044	()	Gasket	1
13	VTRS00572	()	Washer	1
14	VTVR00563	()	Ring, Nut	1
15	897277	()	Screw, Tspei, M6x20, Uni5933	6
16	LAFN11197	()	Spacer	2
17	LAFN11195	()	Support	1
18	LAFN11196	()	Pin	1
19	MTPL00238	()	Roller	1
20	CUVR00192	()	Brush Block Ring	2
21	897432	()	Washer, D. 10x21, Uni6592, Inox	2
22	VTVT00411	()	Screw Tcei M10x35 Uni5931	2
23	MTCR00085	()	Chain 3/8	1
24	897283	()	Support	1
25	LAFN07029	()	Spacer	1
26	VTVR00229	()	Key 5x5x12	1
27	MTCR00070	()	Pin, Steering Shaft	1
28	LAFN04134	()	Washer Pinion Steering	1
29	897152	()	Washer, D.8, Uni6592, Inox	10
30	897216	()	Washer, D. 8, Grw, Uni1751, Inox	10
31	VTVT01310	()	Screw Tcei 8x60 Inox Uni5931	8
32	897184	()	Screw, Te, M8x16, Uni5739, A2	2
33	VTVT13936	()	Screw, M10x20	4
34	VTVT00458	()	Screw Te M 10x35 Zinc. Uni 5739	2
35	MECI00779	()		1
36	LAFN03742	()	Spacer Silencer	2
37	LAFN08836	()	Bracket	1
38	VTVT15962	()	Screw M 5x 25 Tspei Uni 5933	2
39	MTCR47037	()	Warp Knitting 3/8	1
40	897352	()	Screw, Tcei, M.6x16	1

DRIVE WHEEL BREAKDOWN (MOCC00385)



DRIVE WHEEL BREAKDOWN (MOCC00385)

Ref.	Part No.	Mfr. Date	Description	Qty.
▽	MOCC00385	()	Motorwheel 36v 1100 W D.300	1
▲	1 RDGR00039	()	Dampener	1
▲	2 RTRT00442	()	Wheel, Pu, Blue 300x100	1
▲	3 CUVR00194	()	Clamp 2.5x100	1
▲	4 MOCC00407	()	Motor Electric Trac.- Wheel	1
▲	5 MPVR04999	()	Cover, Top, Motorwheel	1
▲	6 MPVR08044	()	Cover, Motorwheel	1
▲	7 MFVR00331	()	Support, Wheel, Motor	1
▲	8 MEVR34439	()	Vr, Carbon Brush Kit, Motor, Traction	4

▽ ASSEMBLY

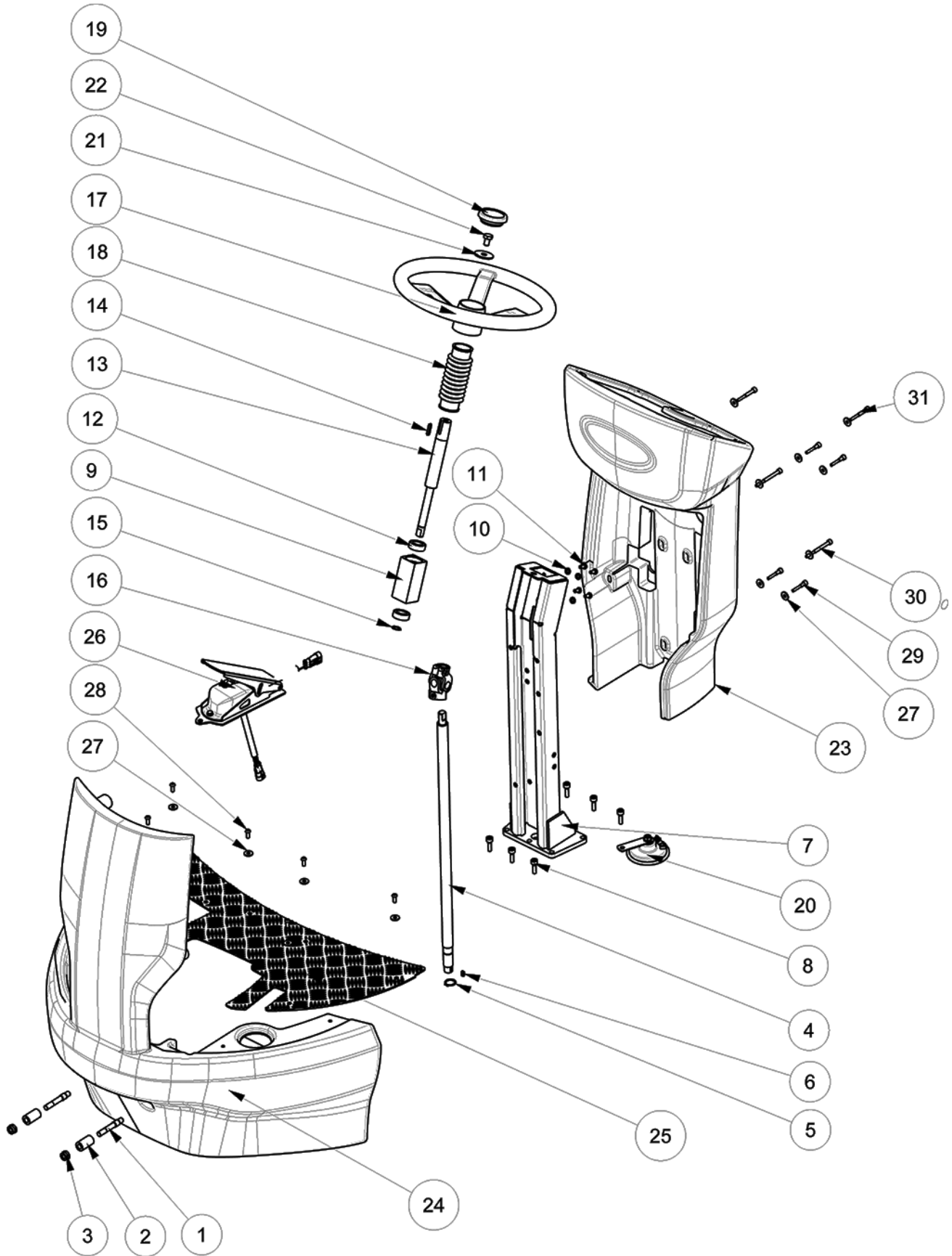
▲ INCLUDED IN ASSEMBLY

STEERING COLUMN GROUP (105CM Disk Model)

Ref.	Part No.	Mfr. Date	Description	Qty.
1	LAFN08820	()	Shaft	1
2	897280	()	Circlip, D. 20, Uni7435	1
3	VTVR00229	()	Key 5x5x12	1
4	LAFN05787	()	Support	1
5	VTVT00639	()	Screw Tcei 8x25	6
6	LAFN04133	()	Hub, Steering Shaft	1
7	897106	()	Washer, Flat, 6,00x11,00x1,6, Ss	8
8	897130	()	Screw, Te, M6x12, Uni5739, A2	4
9	CUVR17004	()	Ball Bearing 6202 - 2rs1	2
10	LAFN04076	()	Shaft, Upper Steering	1
11	VTVR33667	()	Key Uni 6604 5x5x25	1
12	VTAE17003	()	Circlip Esterno Din 471 D.15	1
13	897397	()	Joint, Steering	1
14	MPVR01517	()	Wheel, Steering	1
15	897408	()	Bellows, Shaft, Steering	1
16	MPVR47026	()	Cap, Black L.14	1
17	MEVR04383	()	Horn, 36v	1
18	897401	()	Washer, M10x40x2,5, Uni6593, Zb	1
19	VTVT47025	()	Screw Tbce Iso 7380 10x16 Zb	1
20	MPVR13191	()	Covering Rear	1
21	MPVR13430	()	Panel, Side	1
22	LAFN11896	()	Plate	1
23	PMVR02056	()	Kit Throttle (See Breakdown)	1
24	897112	()	Washer, Flat, 6,00x18,00x1,6	15
25	897446	()	Screw, Tbei, M6x16	7
26	VTVT00729	()	Screw Tcei M. 6- 35	4
27	VTVT00298	()	Screw Tcei M6x70 Uni5931	2
28	VTVT00261	()	Screw Tcei M,6x50 Zc, Uni,5931	2
29	897432	()	Washer, D. 10x21, Uni6592, Inox	2
30	897413	()	Screw, Tcei, M10x30	2

STANDARD PARTS

STEERING COLUMN GROUP (100CM Cylindrical Brush Model)

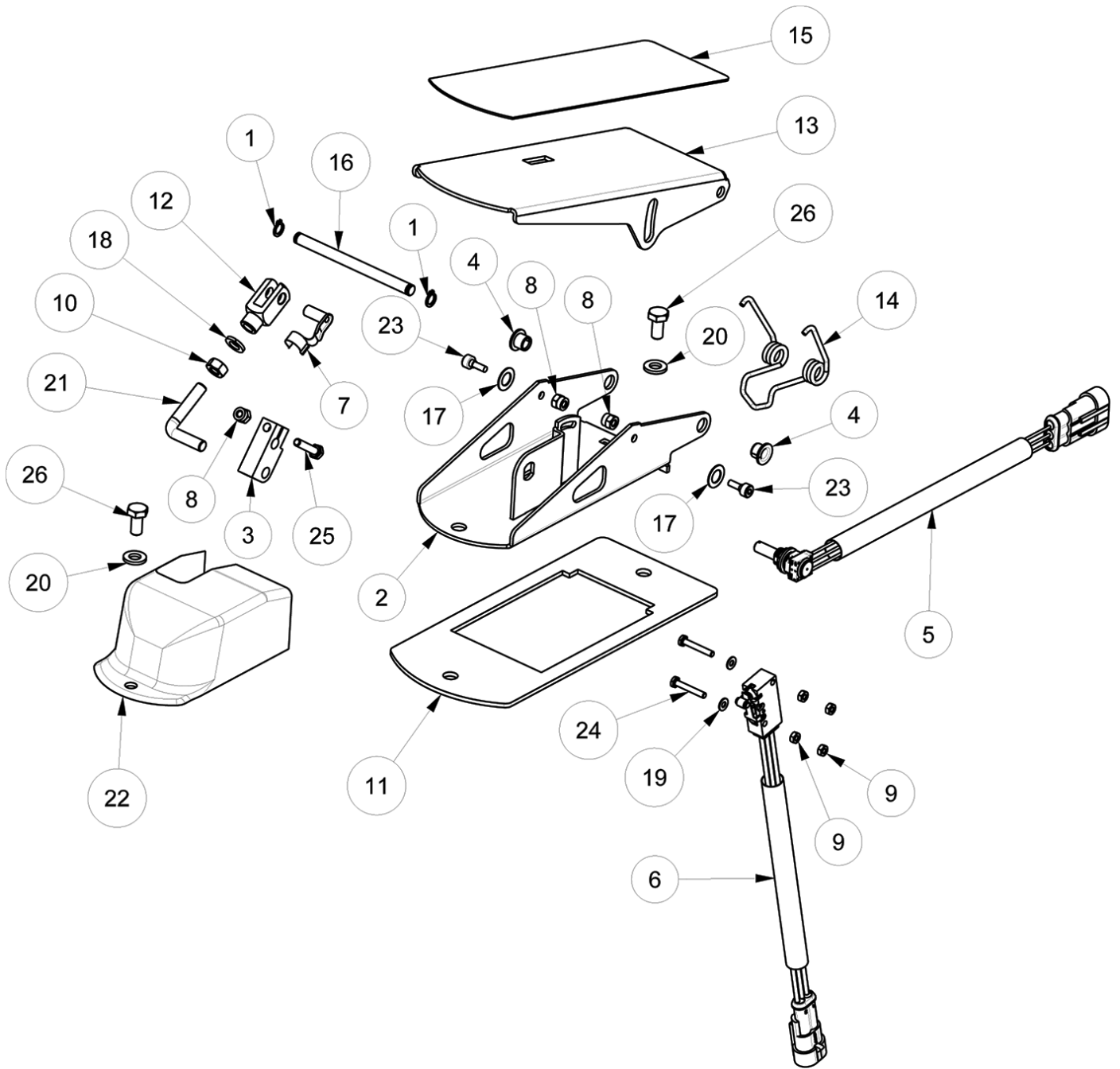


STEERING COLUMN GROUP (100CM Cylindrical Brush Model)

Ref.	Part No.	Mfr. Date	Description	Qty.
1	LAFN11919	()	Pin	2
2	MPVR05631	()	Spacer, Pvc	2
3	897431	()	Nut Autobl.M10 Inox Din 985	2
4	LAFN08820	()	Shaft	1
5	897280	()	Circlip, D. 20, Uni7435	1
6	VTVR00229	()	Key 5x5x12	1
7	LAFN05787	()	Support	1
8	VTVT00639	()	Screw Tcei 8x25	6
9	LAFN04133	()	Hub, Steering Shaft	1
10	897106	()	Washer, Flat, 6,00x11,00x1,6, Ss	8
11	897130	()	Screw, Te, M6x12, Uni5739, A2	4
12	CUVR17004	()	Ball Bearing 6202 - 2rs1	2
13	LAFN04076	()	Shaft, Upper Steering	1
14	VTVR33667	()	Key Uni 6604 5x5x25	1
15	VTAE17003	()	Circlip Esterno Din 471 D.15	1
16	897397	()	Joint, Steering	1
17	MPVR01517	()	Wheel, Steering	1
18	897408	()	Bellows, Shaft, Steering	1
19	MPVR47026	()	Cap, Black L.14	1
20	MEVR04383	()	Horn, 36v	1
21	897401	()	Washer, M10x40x2,5, Uni6593, Zb	1
22	VTVT00076	()	Screw Te Uni 5739 10x16 Zb	1
23	MPVR13220	()	Crankcase Rear	1
24	MPVR13430	()	Panel, Side	1
25	LAFN11896	()	Plate	1
26	PMVR02056	()	Kit Throttle (See Breakdown)	1
27	897112	()	Washer, Flat, 6,00x18,00x1,6	15
28	897446	()	Screw, Tbei, M6x16	7
29	VTVT00729	()	Screw Tcei M. 6- 35	4
30	VTVT00298	()	Screw Tcei M6x70 Uni5931	2
31	VTVT00261	()	Screw Tcei M,6x50 Zc, Uni,5931	2

STANDARD PARTS

ACCELERATOR PEDAL BREAKDOWN (MPVR02056)

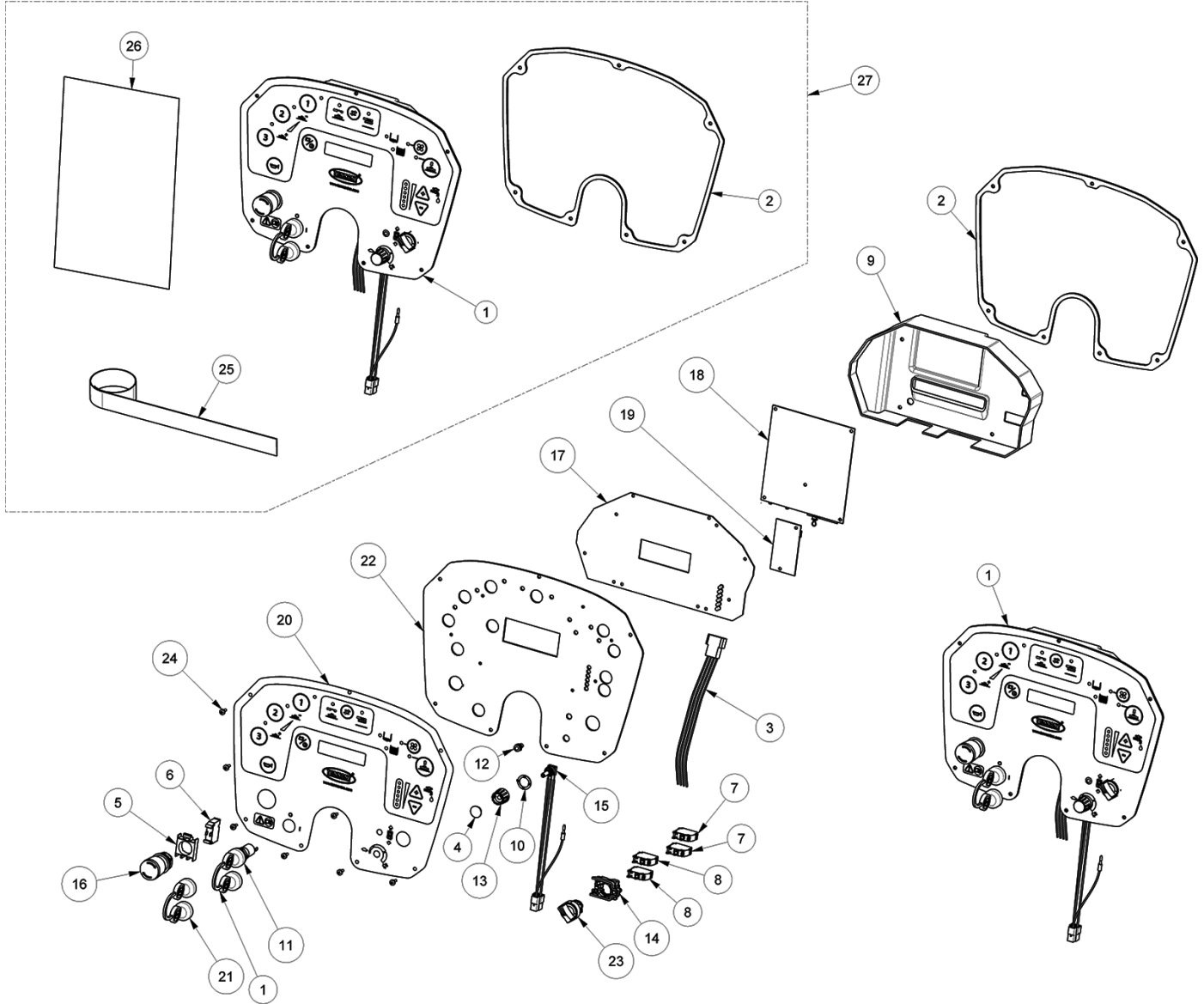


ACCELERATOR PEDAL BREAKDOWN (MPVR02056)

Ref.	Part No.	Mfr. Date	Description	Qty.
1	VTAE48552	()	Clip External Din 471 D.6	2
2	LAFN07532	()	Base	1
3	LAFN01149	()	Rod, Connecting, Pedal Step	1
4	CUVR00183	()	Bushing	2
5	MECB01227	()	Potentiometer, Traction	1
6	MECB01228	()	Contact, Micro, Pedal	1
7	CMCV75717	()	Clip Uni 1676 M6	1
8	VTDD04369	()	Nut M 4 Tef Uni 7473	3
9	897189	()	Nut, M3, Inox	4
10	VTDD00482	()	Nut M 6 Zin Uni 5588	1
11	LAFN05802	()	Flange Pedal Accelerator	1
12	CMCV76639	()	Fork M 6 Uni 1676	1
13	LAFN06474	()	Plate, Pedal	1
14	MLML00034	()	Pedal Spring	1
15	MPVR00866	()	Plate, Slip	1
16	LAFN00524	()	Pin, Pedal	1
17	MPVR05528	()	Washer	2
18	897129	()	Washer, D.6, Grw, Uni1751, Inox	1
19	VTRS00385	()	Washer Uni 6592 3,2x7x0,5 Inox	2
20	VTRS00503	()	Washer D. 6 Uni 6592	2
21	LAFN00909	()	Bracket Pedal Wire	1
22	MPVR00302	()	Crankcase Feeder Pedal	1
23	VTVT00089	()	Screw Tcce Uni 5931 4x10 Zb	2
24	VTVT01350	()	Screw, M3x20	2
25	VTVT00727	()	Screw Te M 4,20	1
26	897130	()	Screw, Te, M6x12, Uni5739, A2	2

STANDARD PARTS

CONTROL PANEL GROUP (Standard Model)



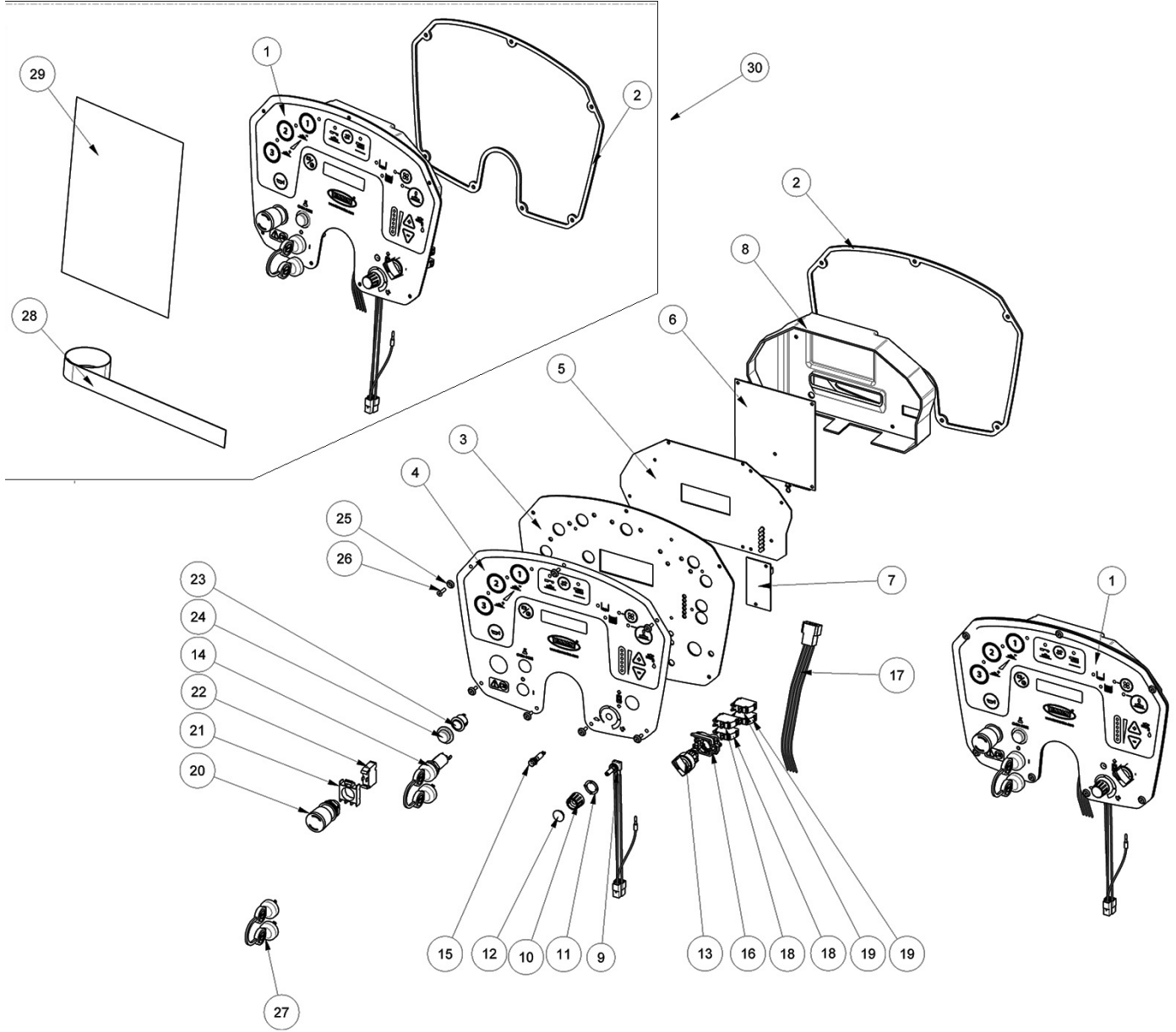
CONTROL PANEL GROUP (Standard Model)

Ref.	Part No.	Mfr. Date	Description	Qty.
1	MECE00898	()	Panel Assy, Membrane	1
2	GUG000702	()	Gasket	1
3	MECB02035	()	Wiring	1
4	MEVR01575	()	Cap 2202	1
5	MECI00583	()	Bracket	1
6	MECI00584	()	Contact	1
7	MEVR02012	()	Contact	2
8	MEVR02039	()	Contact	2
9	MPVR05840	()	Cover	1
10	MEVR01574	()	Ring Nut 2204	1
11	MECI00723	()	Switch, Key	1
12	MECB01250	()	Light, Led	1
13	MEVR01573	()	Knob, Small	1
14	MEVR02038	()	Support	1
15	KTRI05576	()	Kit Potentiometer Speed Contr	1
16	MECI00582	()	Switch	1
17	KTRI06415	()	Kit, Display Board	1
18	KTRI06416*	()	Kit, Board, Logic	1
19	KTRI06417*	()	Kit, Board Interface	1
20	N/A	()	Label (Order Label Kit KTRI06603)	1
21	MEVR02703	()	Key, Spare Battery	1
22	LAFN11719	()	Support	1
23	MEVR02011	()	Selector	1
24	897180	()	Screw, M4x10, Tcb, Tc, Inox	7
25	MEVR02709	()	Strap, Static	1
26	PLDC04564	()	Manual, Instr	1
27	KTRI06405*	()	Kit, Display (Includes Items 1- 26)	1

* Requires Tennant *True* service or an authorized Tennant service provider.

STANDARD PARTS

CONTROL PANEL GROUP (Chem Dose Model)



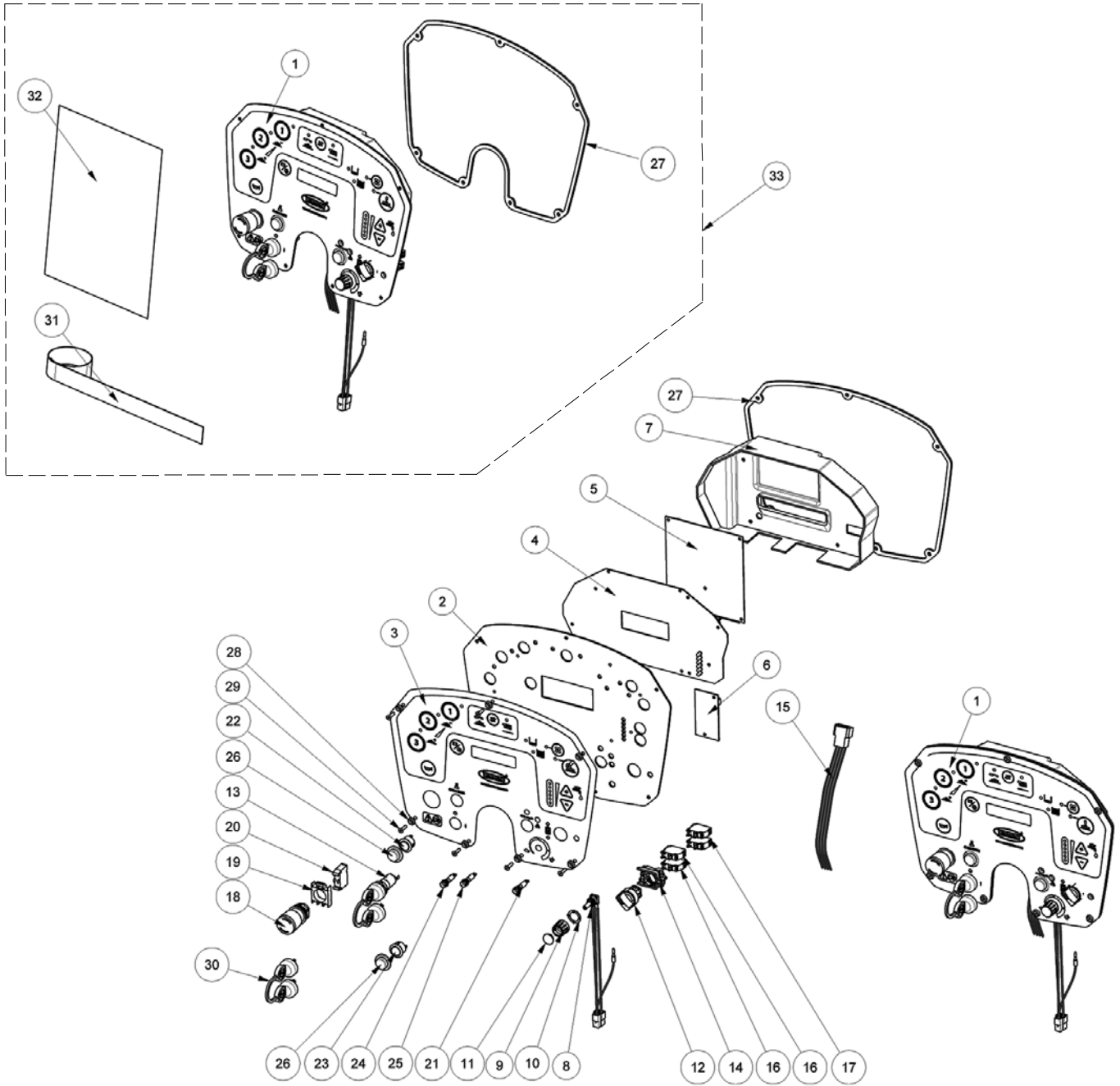
CONTROL PANEL GROUP (Chem Dose Model)

Ref.	Part No.	Mfr.	Description	Qty.
1	MECE00940	()	Panel	1
2	GUG000702	()	Gasket, Panel, Control	1
3	LAFN11719	()	Panel, Control	1
4	ETET17986	()	Label (Order Label Kit KTRI06603)	1
5	MECE00531	()	Circuitboard, Display	1
6	MECE00532	()	Circuitboard, Logic	1
7	MECE00533	()	Circuitboard, Interface	1
8	MPVR05840	()	Cover, Circuitboard, Display	1
9	MEVR02044	()	Potentiometer, 100K	1
10	MEVR01573	()	Knob	1
11	MEVR01574	()	Nut, Ring	1
12	MEVR01575	()	CAP, Knob	1
13	MEVR02011	()	Switch, Selector	1
14	MECI00723	()	Switch, Key	1
15	MECB01250	()	Light, Led	1
16	MEVR02038	()	Mount, Switch	1
17	MECB02035	()	Harness, Panel, Control	1
18	MEVR02039	()	Connector	2
19	MEVR02012	()	Connector	2
20	MECI00582	()	Switch, Safety, Shutoff	1
21	MECI00583	()	Mount, Switch	1
22	MECI00584	()	Connector	1
23	MECI00556	()	Switch	1
24	MPVR13481	()	Cover	1
25	VTRS00119	()	Washer, Screw, Black	7
26	897502	()	Screw, Flt, Soc, M4X16, UNI5933	7
27	MEVR02703	()	Key, Ignition	1
28	MEVR02709	()	Strap, Ground	1
29	PLDC04564	()	Manual, Instr	1
30	KTRI06598	()	Kit, Label ECH20	1

* Requires Tennant *True* service or an authorized Tennant service provider.

STANDARD PARTS

CONTROL PANEL GROUP (ec- H2O & Chem Dose Model)

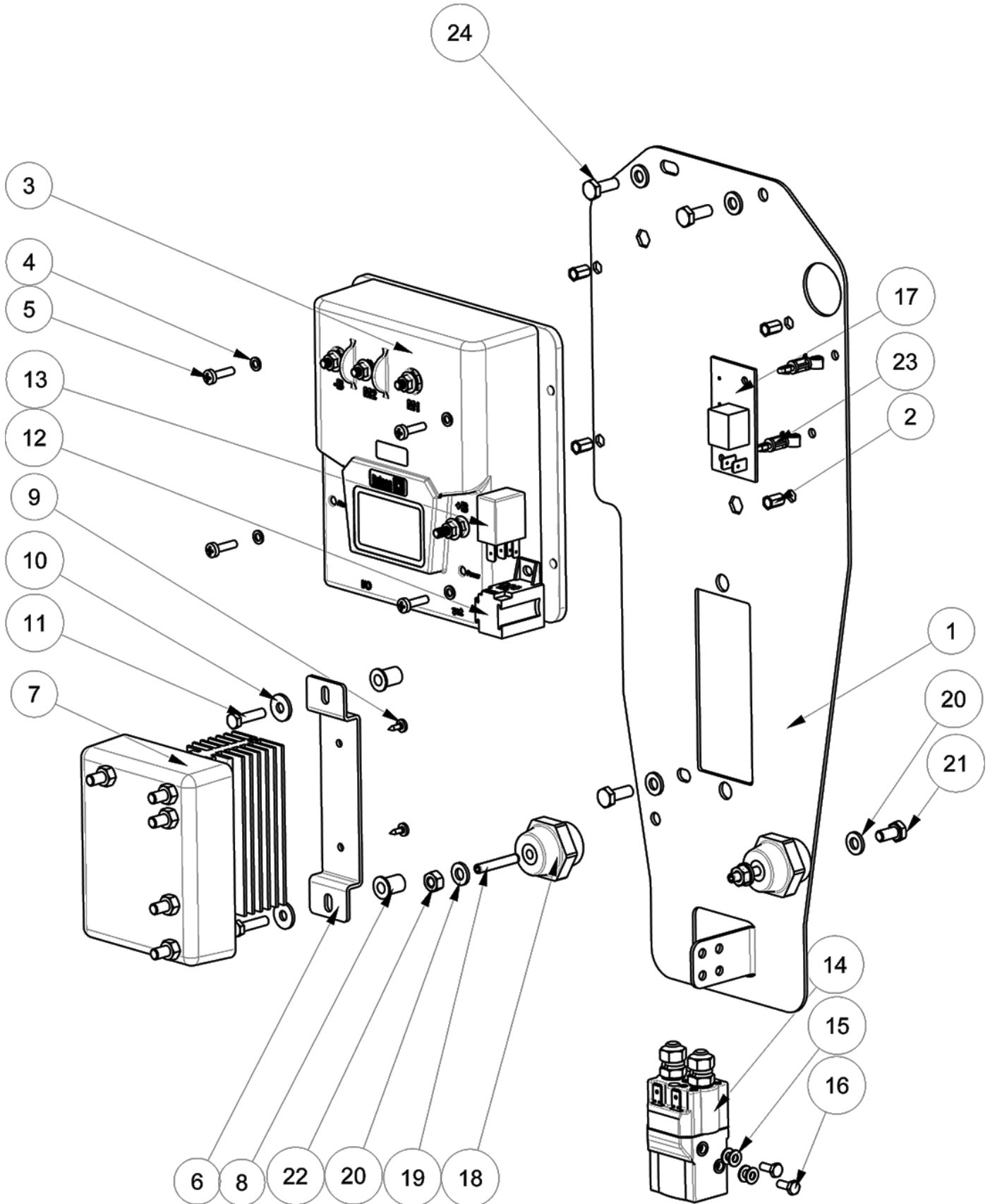


CONTROL PANEL GROUP (ec- H2O & Chem Dose)

Ref.	Part No.	Mfr. Date	Description	Qty.
1	MECE00937	()	Panel	1
2	LAFN11719	()	Support	1
3	N/A	()	Label (Order Label Kit KTRI06603)	1
4	KTRI06415*	()	Kit, Display Board	1
5	KTRI06416*	()	Kit, Board, Logic	1
6	MECE00533	()	Panel, Board Interface	1
7	MPVR05840	()	Cover	1
8	MEVR02044	()	Potentiometer	1
9	MEVR01573	()	Knob, Small	1
10	MEVR01574	()	Ring Nut 2204	1
11	MEVR01575	()	Cap 2202	1
12	MEVR02011	()	Selector	1
13	MECI00723	()	Switch, Key	1
14	MEVR02038	()	Support	1
15	MECB02035	()	Wiring	1
16	MEVR02039	()	Contact	2
17	MEVR02012	()	Contact	2
18	MECI00582	()	Switch	1
19	MECI00583	()	Bracket	1
20	MECI00584	()	Contact	1
21	MECB01250	()	Light, Led	1
22	MECI00556	()	Switch	1
23	MECI00768	()	Switch	1
24	MEVR02859	()	Light, Led Green 36v	1
25	MEVR02860	()	Light, Led Red 36v	1
26	MPVR13481	()	Cap, Display	2
27	GUG000702	()	Gasket	1
28	VTRS00119	()	Washer, Screw, Black	7
29	897502	()	Screw, M4x16, Tspei, Uni5933	7
30	MEVR02703	()	Key, Spare Battery	1
31	MEVR02709	()	Strap, Static	1
32	PLDC04564	()	Manual, Instr	1
33	KTRI06584*	()	Kit, Display Board (Includes Items 1- 32)	1

* Requires Tennant *True* service or an authorized Tennant service provider.

ELECTRICAL COMPONENT AND HARNESS GROUP

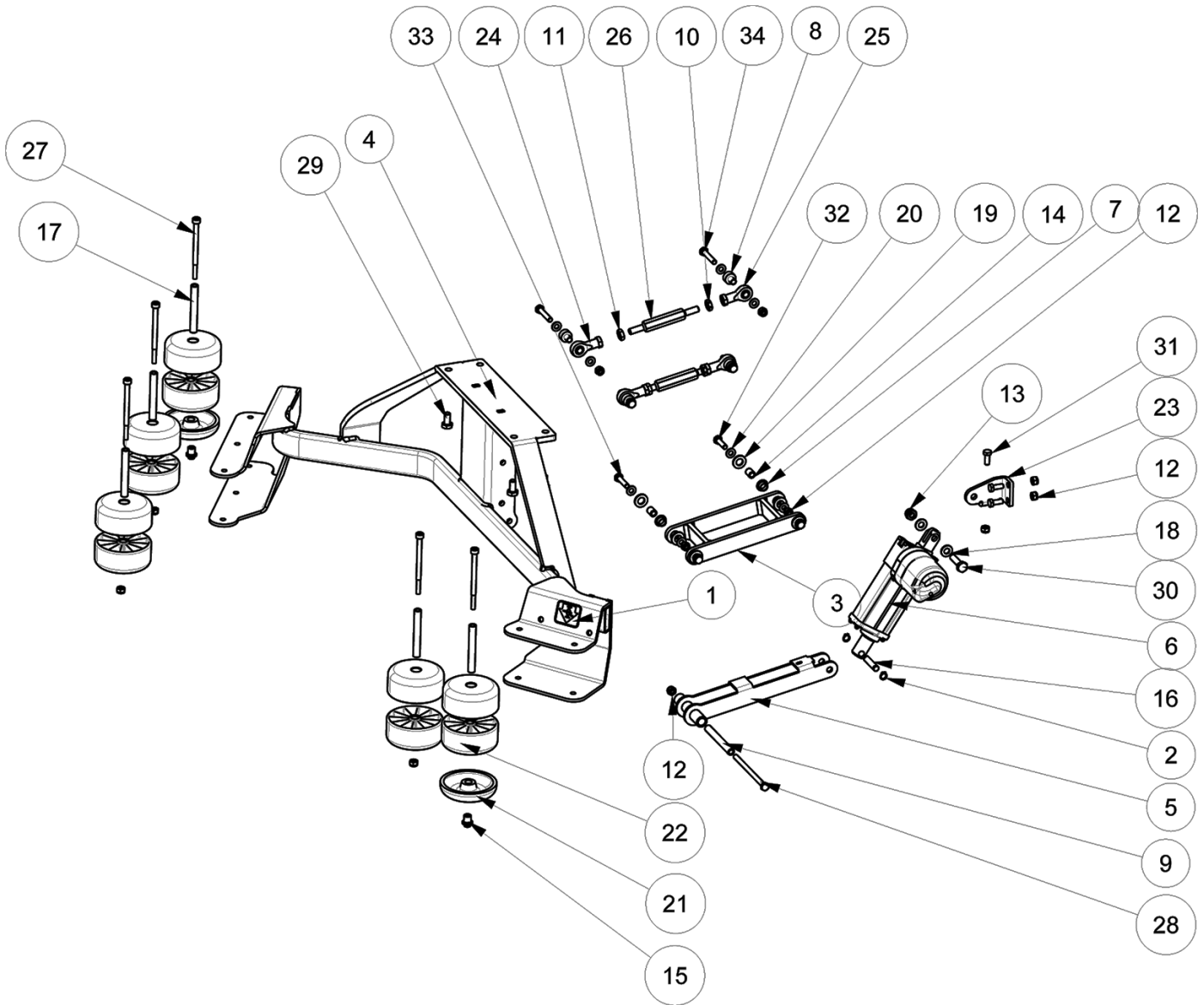


ELECTRICAL COMPONENT AND HARNESS GROUP

Ref.	Part No.	Mfr. Date	Description	Qty.
1	LAFN11890	()	Plate	1
2	VTVR00306	()	Insert, Threaded M5	4
3	MECE00927	()	Panel, Board 7ch4q162 150a 24- 36v	1
4	897204	()	Washer, D.4, Grover, Uni1751, A2	4
5	897359	()	Screw, Tctc, M4x16, Acciaio, Inox	4
6	LAFN11849	()	Plate	1
7	MECE00526	()	Panel, Power Service	1
8	MPVR13464	()	Bushing	2
9	VTVT00040	()	Screw	2
10	897384	()	Washer, M5x14, Inox	2
11	897170	()	Screw, Te, M5x20	2
12	MEVR02888	()	Base Te V23333- Z1001- B045	1
13	MECE00456	()	Relay, Brush Head	1
14	METT00086	()	Contacto 100a	1
15	897156	()	Washer, D. 4, Inox	4
16	897151	()	Screw, Te, M4x10, Inox	2
17	MECE00755	()	Ct230 Horn Card	1
18	MEVR47082	()	Insulator	2
19	VTVT00900	()	Grub Screw M 6- 30 Con Es	2
20	897106	()	Washer, Flat, 6,00x11,00x1,6, Ss	7
21	897130	()	Screw, Te, M6x12, Uni5739, A2	2
22	897405	()	Nut, M6, Uni5588, Inox, A2	2
23	MEVR01708	()	Column	2
24	897128	()	Screw Te 6x16 Uni5739	3

STANDARD PARTS

SCRUB HEAD LIFT AND BUMPER GROUP (105cm Disk Model)

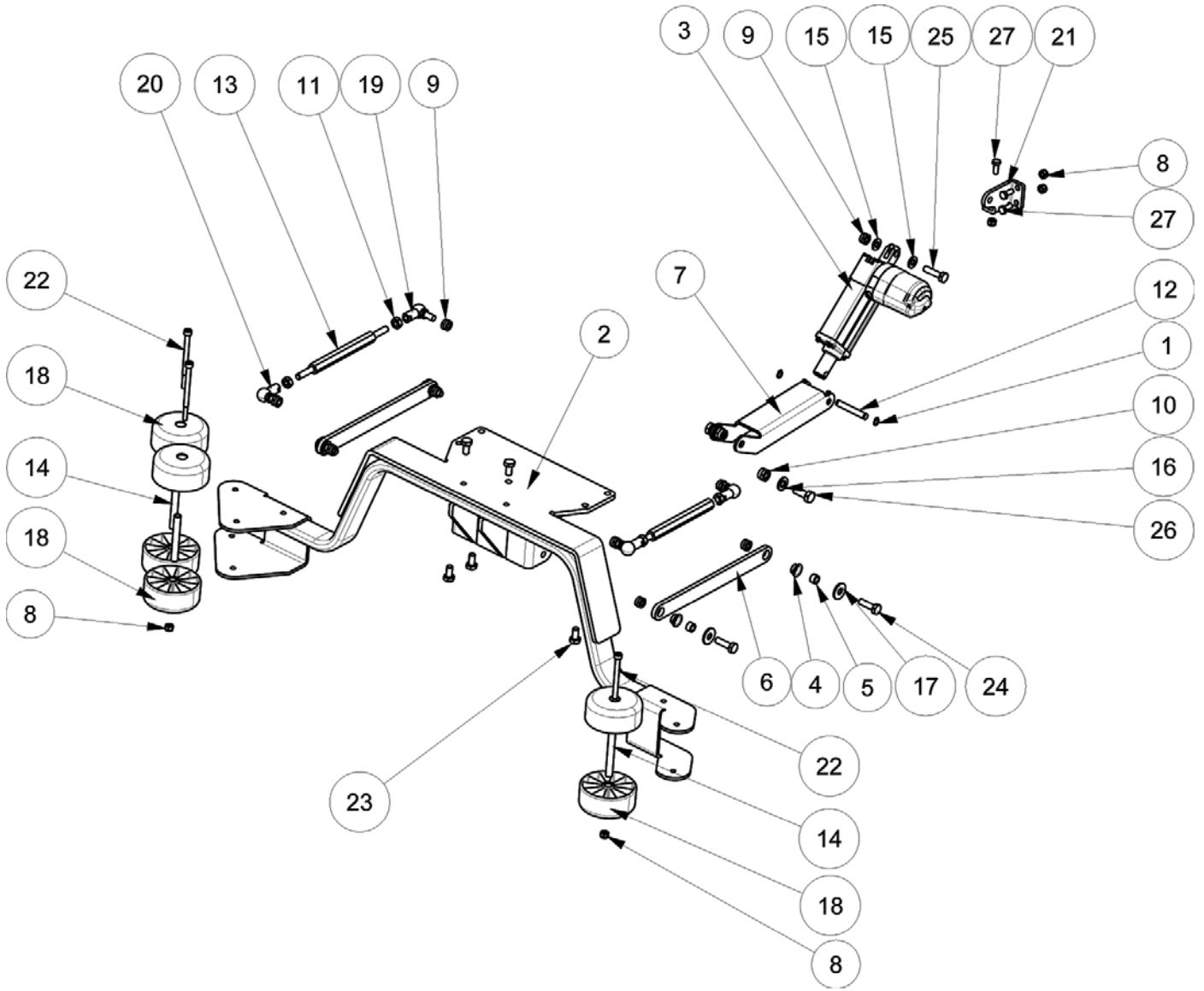


SCRUB HEAD LIFT AND BUMPER GROUP (105cm Disk Model)

Ref.	Part No.	Mfr. Date	Description	Qty.
1	N/A	()	Label (Order Label Kit KTRI06603)	2
2	VTAE87276	()	Seeger Ext. D10 Din471	2
3	LAFN07958	()	Bracket, Actuator, Brush Head	1
4	LAFN11918	()	Head	1
5	LAFN08802	()	Arm	1
6	MOCC00388	()	Actuator Brush Head 36v 1500n	1
7	CUVR00130	()	Bearing, Crawling	4
8	LAFN09356	()	Bushing	4
9	LAFN07878	()	Bushing	1
10	VTDD00211	()	Nut Uni 5589 M16 Thread Left	2
11	VTDD00151	()	Nut M,10	2
12	VTDD01701	()	Nut M8 Inox+Zin.	15
13	897431	()	Nut Autobl.M10 Inox Din 985	1
14	897526	()	Bushing, Sleeve, 8b 12d 15l	4
15	LAFN09007	()	Pin	2
16	LAFN51065	()	Pin, Brush, Actuator	1
17	LAFN04127	()	Pin, Roller, Bumper	5
18	897432	()	Washer, D. 10x21, Uni6592, Inox	2
19	897215	()	Washer, D.12x24, Uni6592, Inox	8
20	897152	()	Washer, D.8, Uni6592, Inox	16
21	897101	()	Wheel, Bmpr, 98,5d X 21,5w	2
22	RTRT00510	()	Wheel Bumper Ral7040	10
23	LAFN11874	()	Bracket	1
24	VTVR00570	()	Rod, Tie, End	2
25	VTVR00571	()	Rod, Tie, End	2
26	LAFN09355	()	Tie, Rod	2
27	VTVT67560	()	Screw Tcei M8x110 Inox Aisi 304	5
28	VTVT01159	()	Screw	1
29	VTVT13936	()	Screw, M10x20	4
30	VTVT01549	()	Screw Te M10- 40	1
31	897316	()	Screw, Te, M8x20, Uni5739, Inox	3
32	897246	()	Screw, Te, M8x30, Uni5739, Inox	2
33	897243	()	Screw Te M8x35 Uni5739 Inox	2
34	897244	()	Screw, Te, M8x45, Inox, A2	4

STANDARD PARTS

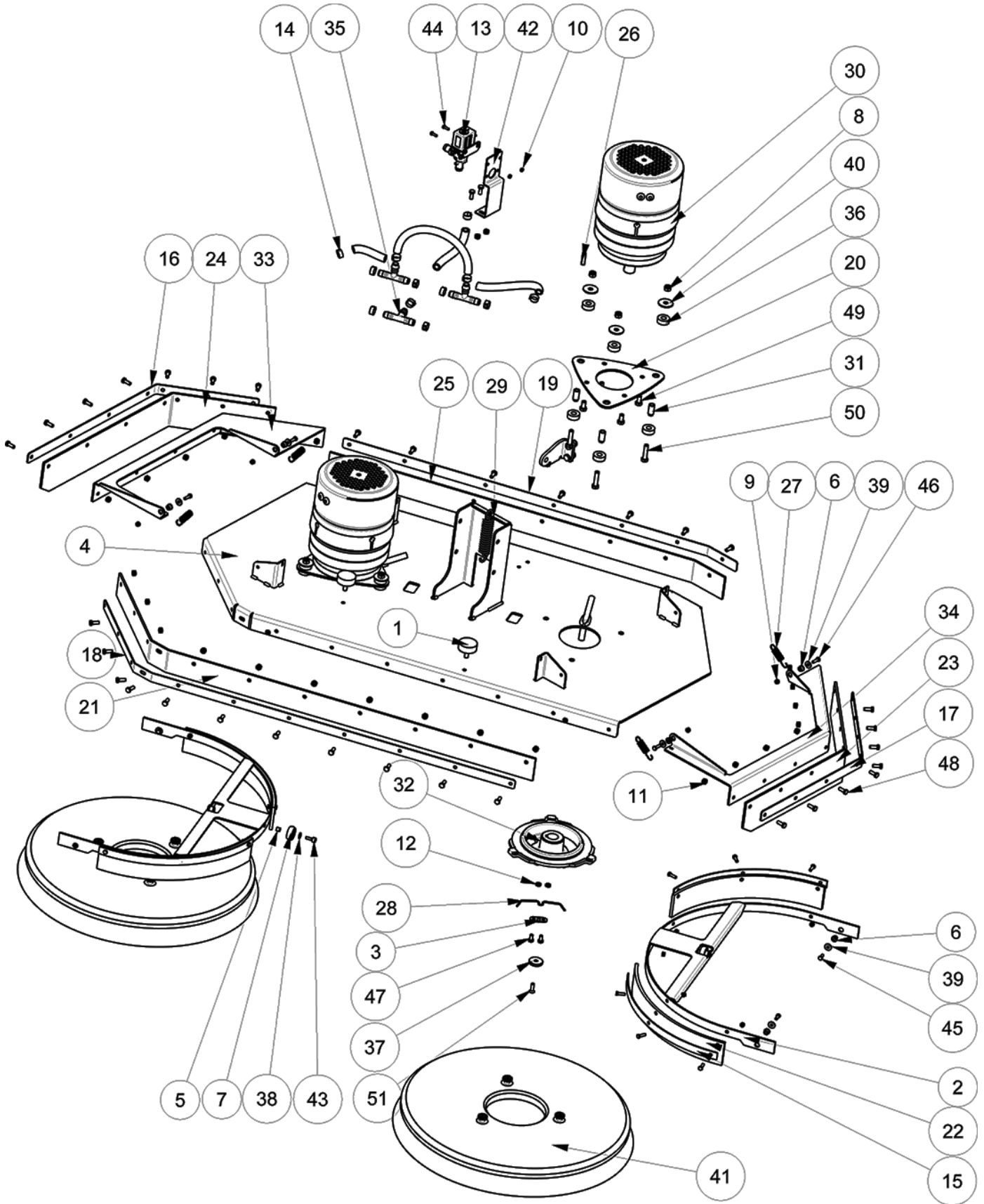
SCRUB HEAD LIFT AND BUMPER GROUP (100cm Cylindrical Brush Model)



SCRUB HEAD LIFT AND BUMPER GROUP (100cm Cylindrical Brush Model)

Ref.	Part No.	Mfr. Date	Description	Qty.
1	VTAE87276	()	Seeger Ext. D10 Din471	2
2	LAFN08096	()	Bracket	1
3	MOCC00388	()	Actuator Brush Head 36v 1500n	1
4	CUVR00192	()	Brush Block Ring	4
5	LAFN09249	()	Bushing	4
6	LAFN08102	()	Arm	2
7	LAFN09208	()	Bracket, Roller	1
8	VTDD01701	()	Nut M8 Inox+Zin.	6
9	897431	()	Nut Autobl.M10 Inox Din 985	9
10	897241	()	Nut, M.12, Inox, A2	2
11	VTDD15522	()	Nut M10 Inox Uni5588	4
12	LAFN08092	()	Pin	1
13	LAFN09238	()	Pin	2
14	LAFN04127	()	Pin, Roller, Bumper	3
15	897432	()	Washer, D. 10x21, Uni6592, Inox	2
16	897215	()	Washer, D.12x24, Uni6592, Inox	2
17	897391	()	Washer D.10	4
18	RTRT00510	()	Wheel Bumper Ral7040	6
19	VTVR00133	()	Joint, Right	2
20	VTVR00118	()	Joint, Left	2
21	LAFN11939	()	Bracket	1
22	VTVT67560	()	Screw Tcei M8x110 Inox Aisi 304	3
23	VTVT13936	()	Screw, M10x20	6
24	VTVT00715	()	Screw Te M.10- 35	4
25	VTVT01549	()	Screw Te M10- 40	1
26	VTVT00422	()	Screw Te M 12x 30 Uni 5739	2
27	897316	()	Screw, Te, M8x20, Uni5739, Inox	3

SCRUB HEAD GROUP (105cm Disk Model)



SCRUB HEAD GROUP (105cm Disk Model)

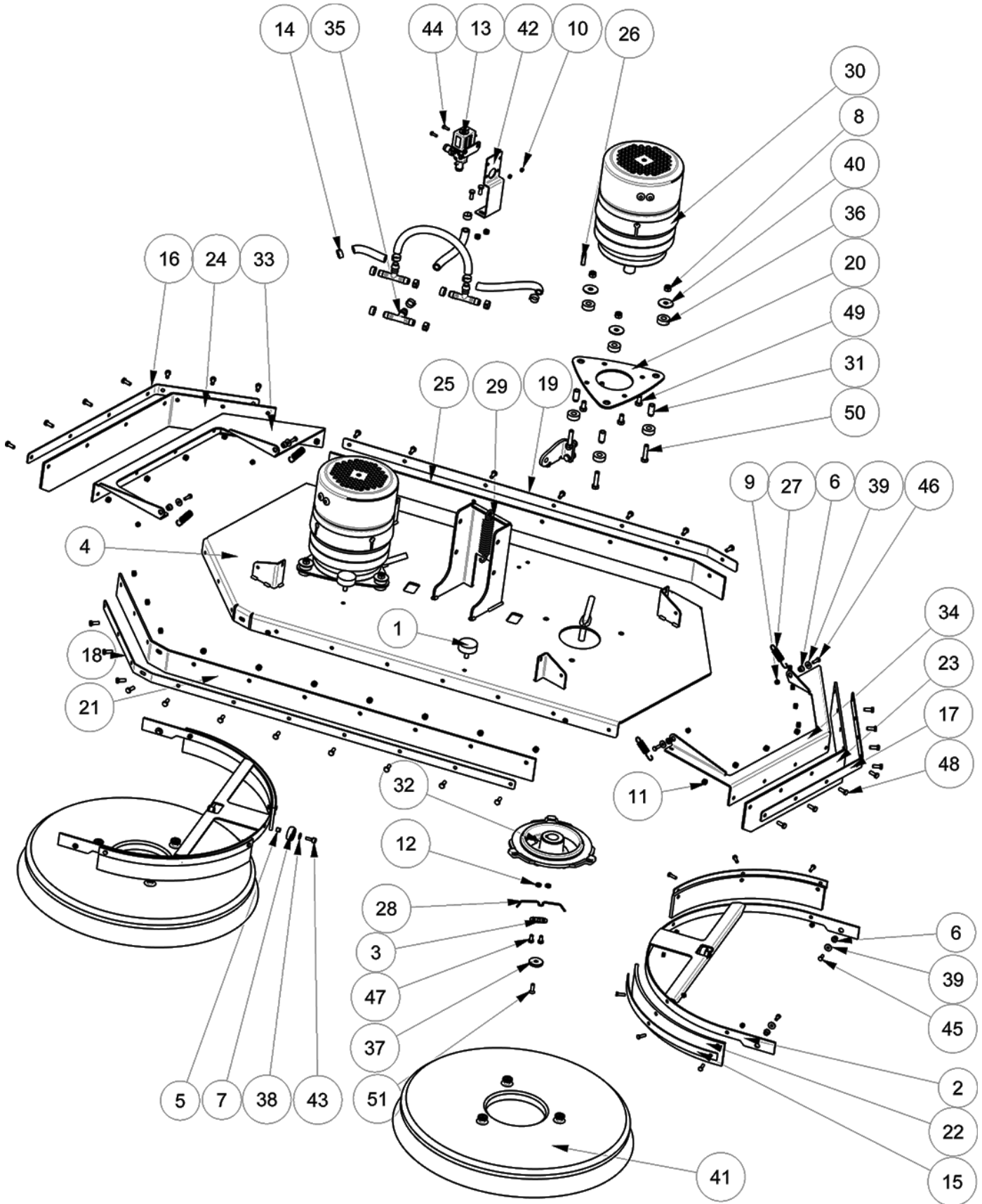
Ref.	Part No.	Mfr. Date	Description	Qty.	
1	ABG000026	()	Vibration Damp	2	
2	LAFN06989	()	Support	2	
3	LAFN05797	()	Plate, Spring	2	
4	LAFN06988	()	Support	1	
5	897231	()	Bushing	2	
6	CUVR00140	()	Bushing, Center Brush	8	
7	897524	()	Bearing, Ball, 8b 30d 11w	2	
8	VTDD01701	()	Nut M8 Inox+Zin.	9	
9	VTDD01693	()	Nut M 5 Inx	16	
10	VTDD00147	()	Nut M 4 Inx U.5588	2	
11	897105	()	Nut, M6, Inox	35	
12	LAFN04140	()	Spacer	4	
13	MEEV00043	()	Valve, Solenoid	1	
14	FSVR00255	()	Clamp, Head	12	
15	LAFN07002	()	Bracket	4	
16	LAFN07006	()	Bracket	1	
17	LAFN07005	()	Bracket	1	
18	LAFN07004	()	Bracket	1	
19	LAFN07003	()	Bracket	1	
20	LAFN05785	()	Flange Door Motor	2	
21	MPVR05036	()	Flap	1	
22	MPVR05034	()	Flap	4	
23	MPVR05037	()	Flap (Left)	1	
24	MPVR05038	()	Flap (Right)	1	
25	MPVR05035	()	Flap (Rear)	1	
26	VTVR14052	()	Key 8x 7x30 Uni 6604a	2	
27	MLML02801	()	Spring Flap Later.	4	
28	MLML00240	()	Spring, Retainer	2	
29	MLML00241	()	Spring, Brush	1	
▽	30	MOCC00195	()	Motor	2
▲	MEVR05203	()	()	Brush, Motor, Carbon	2
31	LAFN04141	()	()	Pin Plate Motor	6
32	MFVR00139	()	()	Disk, Drive, Aluminium	2
33	LAFN07012	()	()	Plane	1
34	LAFN07013	()	()	Plane	1
35	897268	()	()	Connector 3 Vie	3
36	GUG000264	()	()	Washer	12
37	LAFN04146	()	()	Washer, Fixed, Dish	2
38	897106	()	()	Washer, Flat, 6,00x11,00x1,6, Ss	2
39	897384	()	()	Washer, M5x14, Inox	8

▽ ASSEMBLY

▲ INCLUDED IN ASSEMBLY

STANDARD PARTS

SCRUB HEAD GROUP (105cm Disk Model) - Contd

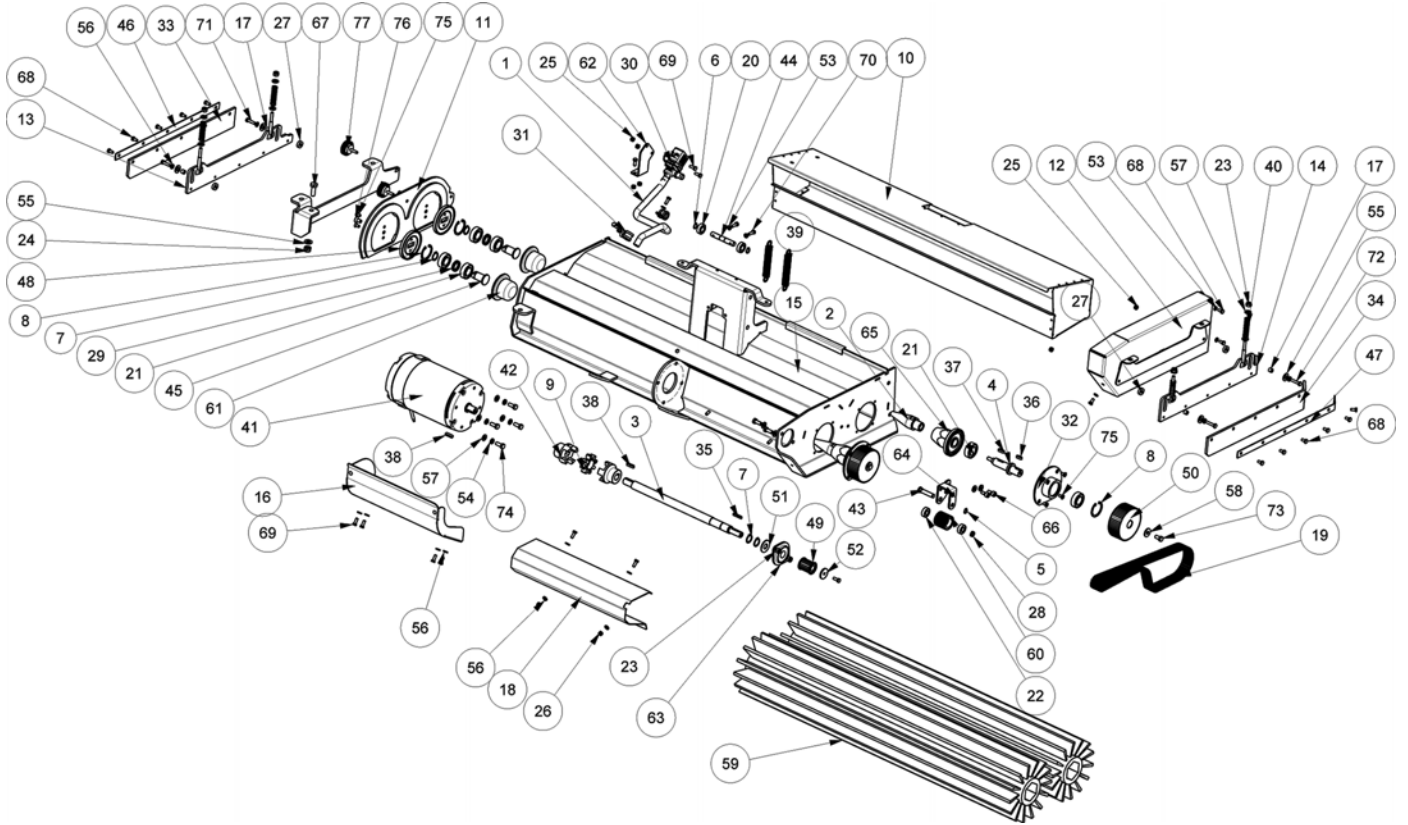


SCRUB HEAD GROUP (105cm Disk Model) - Contd

Ref.	Part No.	Mfr. Date	Description	Qty.
40	897375	()	Washer, D. 8 X32, Uni6593, Inox	6
41	SPPV01546	()	Brush, Ppl, Soft 53cm	2
42	LAFN05835	()	Bracket, Solenoid Valve	1
43	897352	()	Screw, Tcei, M.6x16	2
44	897453	()	Screw, Te, M4x12, Uni5739, Inox	2
45	897459	()	Screw, M5x12, Te, Inox	4
46	897145	()	Screw, Te, M5x16, Uni5739, Inox	16
47	897130	()	Screw, Te, M6x12, Uni5739, A2	4
48	897128	()	Screw Te 6x16 Uni5739	35
49	897184	()	Screw, Te, M8x16, Uni5739, A2	8
50	897243	()	Screw Te M8x35 Uni5739 Inox	6
51	897277	()	Screw, Tspei, M6x20, Uni5933	2

STANDARD PARTS

SCRUB HEAD GROUP (100cm Cylindrical Brush Model)



SCRUB HEAD GROUP (100cm Cylindrical Brush Model)

Ref.	Part No.	Mfr. Date	Description	Qty.	
2	LAFN10125	()	Shaft Brush Insertion	2	
3	ALTR00093	()	Shaft	1	
4	ALTR00092	()	Shaft	2	
5	VTAE87276	()	Seeger Ext. D10 Din471	1	
6	VTAE14016	()	Seeger External Din 471 D.12	2	
7	897280	()	Circlip, D. 20, Uni7435	4	
8	VTAE14086	()	Circlip D. 42 Uni 7437	4	
9	MPVR06304	()	Ring	1	
10	LAFN08073	()	Cover	1	
11	LAFN08097	()	Plate, Head, Right	1	
12	LAFN08074	()	Panel, Left	1	
13	LAFN08076	()	Support, Right	1	
14	LAFN08075	()	Support, Left	1	
15	LAFN08056	()	Head	1	
16	LAFN08080	()	Housing, Motor	1	
17	LAFN04184	()	Bushing, Roll	4	
18	LAFN08081	()	Cover, Drive Shaft	1	
19	MTCG00137	()	Belt, Toothed, 950 Rpp5 M 32 Dd	1	
20	CUVR46942	()	Bearing, Main Brush, Pulley	2	
21	CUVR19846	()	Bearing 6004rs - Skf	8	
22	CUVR29964	()	Bearing, Ball 6000- 2rs1	2	
23	VTDD01701	()	Nut M8 Inox+Zin.	6	
24	897431	()	Nut Autobl.M10 Inox Din 985	1	
25	897105	()	Nut, M6, Inox	4	
26	897105	()	Nut, M6, Inox	4	
27	LAFN06396	()	Spacer, Flap, Left	4	
28	LAFN06846	()	Spacer	1	
29	LAFN08088	()	Spacer	2	
30	MEEV00043	()	Valve, Solenoid	1	
31	897364	()	Clamp, Stl, 16d, Insulated	2	
32	LAFN08057	()	Flange	2	
33	MPVR06262	()	Flap Dx Ct230 (Right)	1	
34	MPVR06263	()	Flap Sx Ct230 (Left)	1	
35	VTVR13164	()	Key Uni 6604 5x5x30	1	
36	VTVR00053	()	Key Uni 6604 6x6x18	2	
37	VTVR28706	()	Key 6x 6x20 Uni 6604a	2	
38	VTVR23472	()	Key 6x6x25	2	
39	897235	()	Spring D. 17.5 X110 N38	2	
40	MLML00302	()	Spring, Recording Flap	4	
▽	41	MOCC00421	()	Motor, Brush	1
▲	41	MOCC00344	()	Motor, Carbon Brushes	1
	42	ALTR00094	()	Hub	2
	43	LAFN06847	()	Pin, Belt Tensioner	1
	44	LAFN08082	()	Pin	1
	45	LAFN08089	()	Pin	2

▽ ASSEMBLY

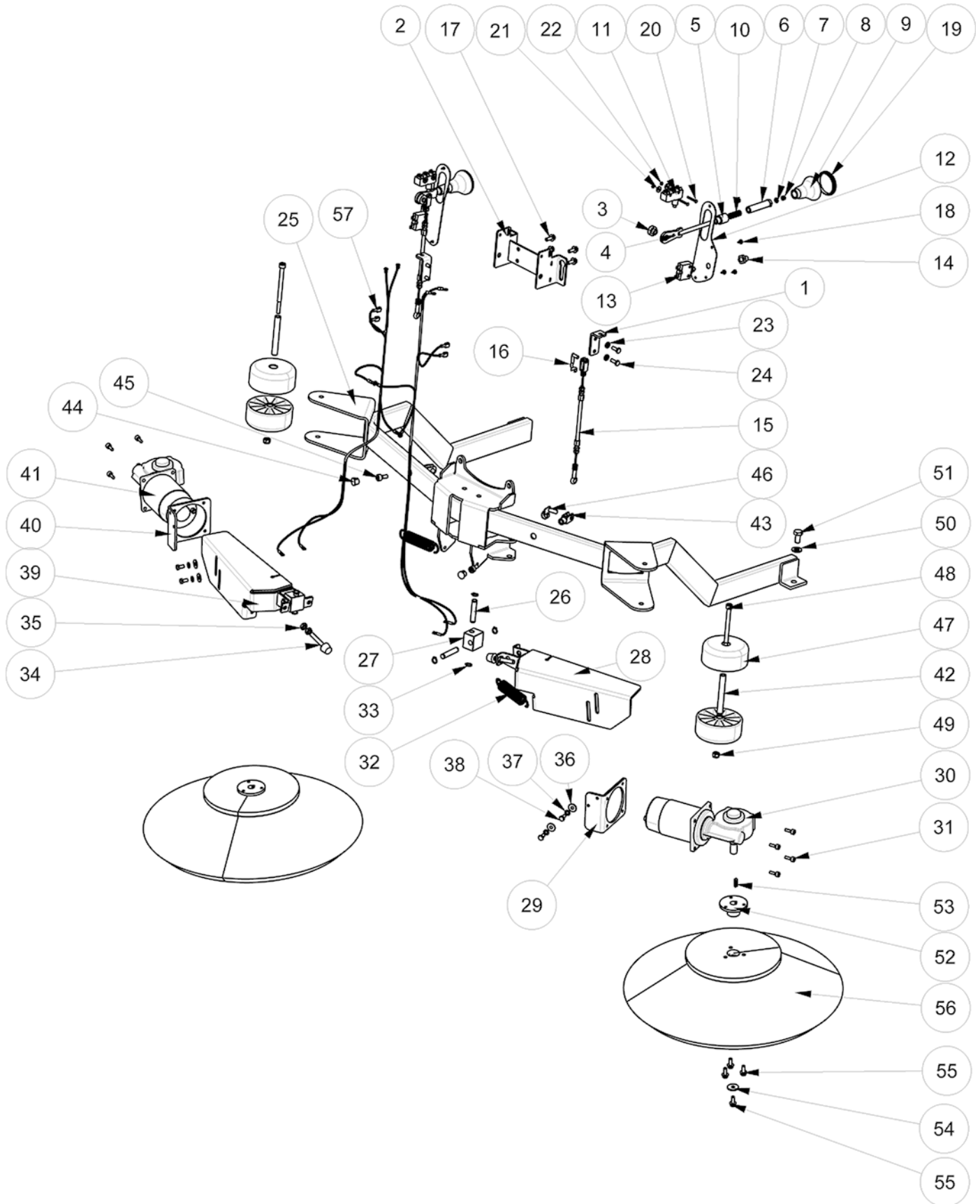
▲ INCLUDED IN ASSEMBLY

SCRUB HEAD GROUP (100cm Cylindrical Brush Model) - Contd

Ref.	Part No.	Mfr. Date	Description	Qty.
46	LAFN08077	()	Support, Flap, Right	1
47	LAFN08079	()	Bracket, Left	1
48	LAFN08086	()	Cover	2
49	MTPL00154	()	Pulley, Motor, Test	1
50	MTPL00210	()	Pulley	2
51	LAFN36058	()	Washer Inox A 15,3x35 Sp2	1
52	897576	()	Washer, M30x6x3	1
53	897129	()	Washer, D.6, Grw, Uni1751, Inox	5
54	897216	()	Washer, D. 8, Grw, Uni1751, Inox	4
55	897432	()	Washer, D. 10x21, Uni6592, Inox	5
56	897106	()	Washer, Flat, 6,00x11,00x1,6, Ss	14
57	897152	()	Washer, D.8, Uni6592, Inox	16
58	897120	()	Washer, D.8x24, Uni6593, Inox	2
59	SPPV01330	()	Brush, Soft, Ppl, 100cm [Std]	2
60	MTPL00193	()	Roller	1
61	LAFN08087	()	Roller	2
62	LAFN08101	()	Support, Ev	1
63	897283	()	Support	1
64	LAFN06848	()	Support, Belt Tensioner	1
65	LAFN08059	()	Disk, Drive	2
66	897347	()	Screw, Tcei, M.8x16	2
67	VTVT01541	()	Screw Te, M10x30, Inox,Uni5739	1
68	897130	()	Screw, Te, M6x12, Uni5739, A2	14
69	897128	()	Screw Te 6x16 Uni5739	13
70	897287	()	Screw, Te, M6x20, Uni5739, Inox	2
71	897532	()	Screw, Te, M6x25, Uni5739, Inox	2
72	VTVT00433	()	Screw, M6x30	2
73	897184	()	Screw, Te, M8x16, Uni5739, A2	2
74	897316	()	Screw, Te, M8x20, Uni5739, Inox	6
75	VTVT00678	()	Screw	12
76	897394	()	Screw, Tspei, M8x16	2
77	VTVT00125	()	Handwheel D.40 M6x15	2
78	KTRI05006	()	Kit, Driver Roll (Includes Items #4, 21, 32, 36, 37, 65 & 75)	2

STANDARD PARTS

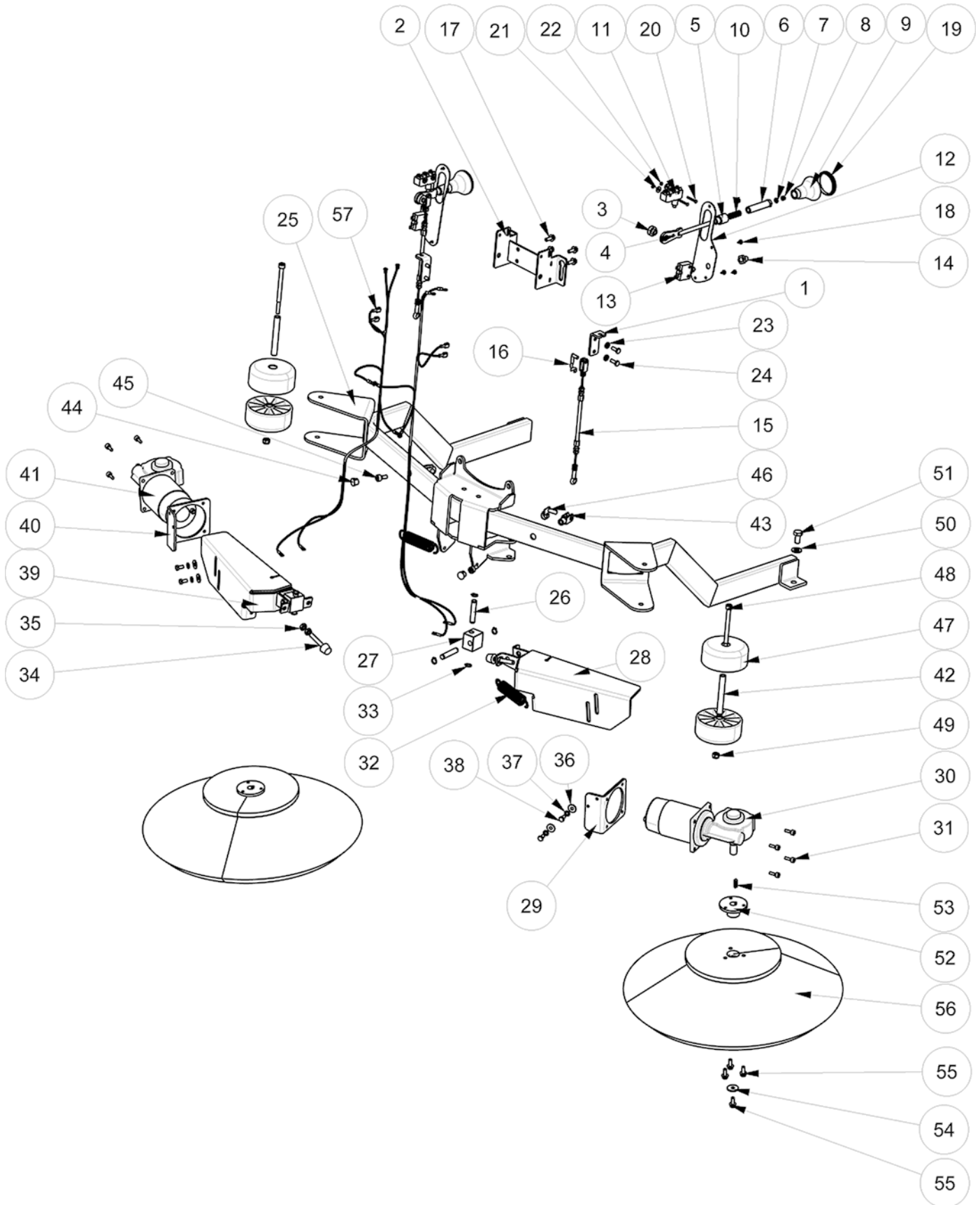
SIDE BRUSH GROUP (100cm Cylindrical Brush Model)



SIDE BRUSH GROUP (100cm Cylindrical Brush Model)

Ref.	Part No.	Mfr. Date	Description	Qty.
1	LAFN09211	()	Bracket	2
2	LAFN07597	()	Bracket	1
3	LAFN00153	()	Bushing, Lever, Lift Brush	2
4	LAFN00803	()	Arm, Brush, Lift	2
5	LAFN07612	()	Bushing	2
6	LAFN00523	()	Spring Holder Brush Lift	2
7	VTRS00502	()	Washer D. 5 0.466 Uni 6592	2
8	VTDD08171	()	Nut M 5 Tef	2
9	MPVR00868	()	Knob, Lifting Brush	2
10	MLML00027	()	Spring Brush Central Knob	2
11	MECI75801	()	Microswitch	2
12	LAFN07599	()	Cover	2
13	METT00040	()	Fuse, Circuit Breaker, 5a	2
14	MEVR02900	()	Cap Circuit Breaker	2
15	CMCV00458	()	Cable	2
16	CMCV00009	()	Clip Uni 1676	2
17	VTVT62920	()	Screw Te F/Rond. M 6x 16 Zb	4
18	VTVT85145	()	Screw Tcb T- Cross 4.2x9.5 Inox	8
19	MPVR00879	()	Knob, Lifting Brush	2
20	VTVT00021	()	Screw Te Uni 5739 3x25 Zb	4
21	VTRS15959	()	Washer D. 4x12 Uni 6593	4
22	VTDD00001	()	Nut, M3, Uni5588, Zb	4
23	897106	()	Washer, Flat, 6,00x11,00x1,6, Ss	4
24	897128	()	Screw Te 6x16 Uni5739	4
25	LAFN08098	()	Bumper	1
26	LAFN01148	()	Pin, Brush, Side	4
27	LAFN00154	()	Arm, Block, Side Brush	2
28	LAFN08100	()	Support, Motor	1
29	LAFN00809	()	Plate, Side Brush	1
30	MOCC00367	()	Motor (Left)	1
31	VTVT09913	()	Screw Tcei 6x16 Uni5931	8
32	MLML45102	()	Spring Tr	2
33	VTAE87276	()	Seeger Ext. D10 Din471	8
34	ABG000055	()	Vibration, Damp	2
35	VTDD00057	()	Nut Uni 5589 M8 Bass	4
36	897112	()	Washer, Flat, 6,00x18,00x1,6	4
37	897129	()	Washer, D.6, Grw, Uni1751, Inox	4
38	897130	()	Screw, Te, M6x12, Uni5739, A2	4
39	LAFN08099	()	Support, Motor	1
40	LAFN00808	()	Plate, Side Brush	1

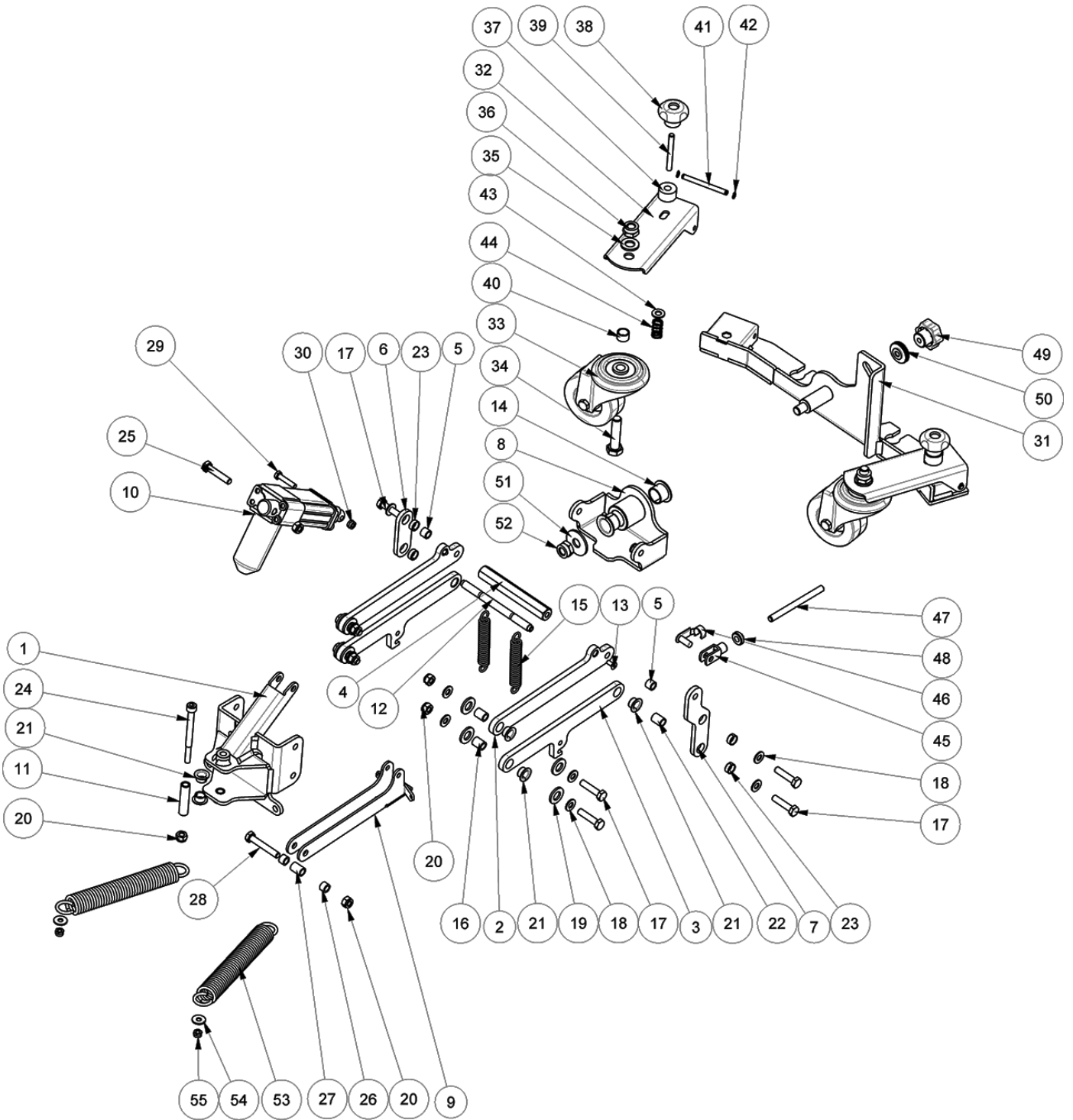
SIDE BRUSH GROUP (100cm Cylindrical Brush Model) - Contd



SIDE BRUSH GROUP (100cm Cylindrical Brush Model) - Contd

Ref.	Part No.	Mfr. Date	Description	Qty.
41	MOCC00366	()	Motor (Right)	1
42	LAFN04127	()	Pin, Roller, Bumper	2
43	CMCV00001	()	Fork Uni 1676 M8x16	2
44	RCVR00165	()	Cap, Plastic, 13mm	2
45	897347	()	Screw, Tcei, M.8x16	2
46	CMCV75718	()	Clip Uni 1676 M8	2
47	RTRT00510	()	Wheel Bumper Ral7040	4
48	VTVT67560	()	Screw Tcei M8x110 Inox Aisi 304	2
49	VTDD01701	()	Nut M8 Inox+Zin.	2
50	897432	()	Washer, D. 10x21, Uni6592, Inox	2
51	VTVT13936	()	Screw, M10x20	2
52	LAFN45010	()	Flange L.1400 Lt	2
53	VTVR13165	()	Key Uni 6604 5x5x20	2
54	VTRS63242	()	Washer D. 6 X24 Zc	2
55	VTVT62920	()	Screw Te F/Rond. M 6x 16 Zb	8
56	SPPV00018	()	Sibrush, Side, Ppl, Medium [Std]	2
57	MECB01268	()	Brush, Side, Harness	1

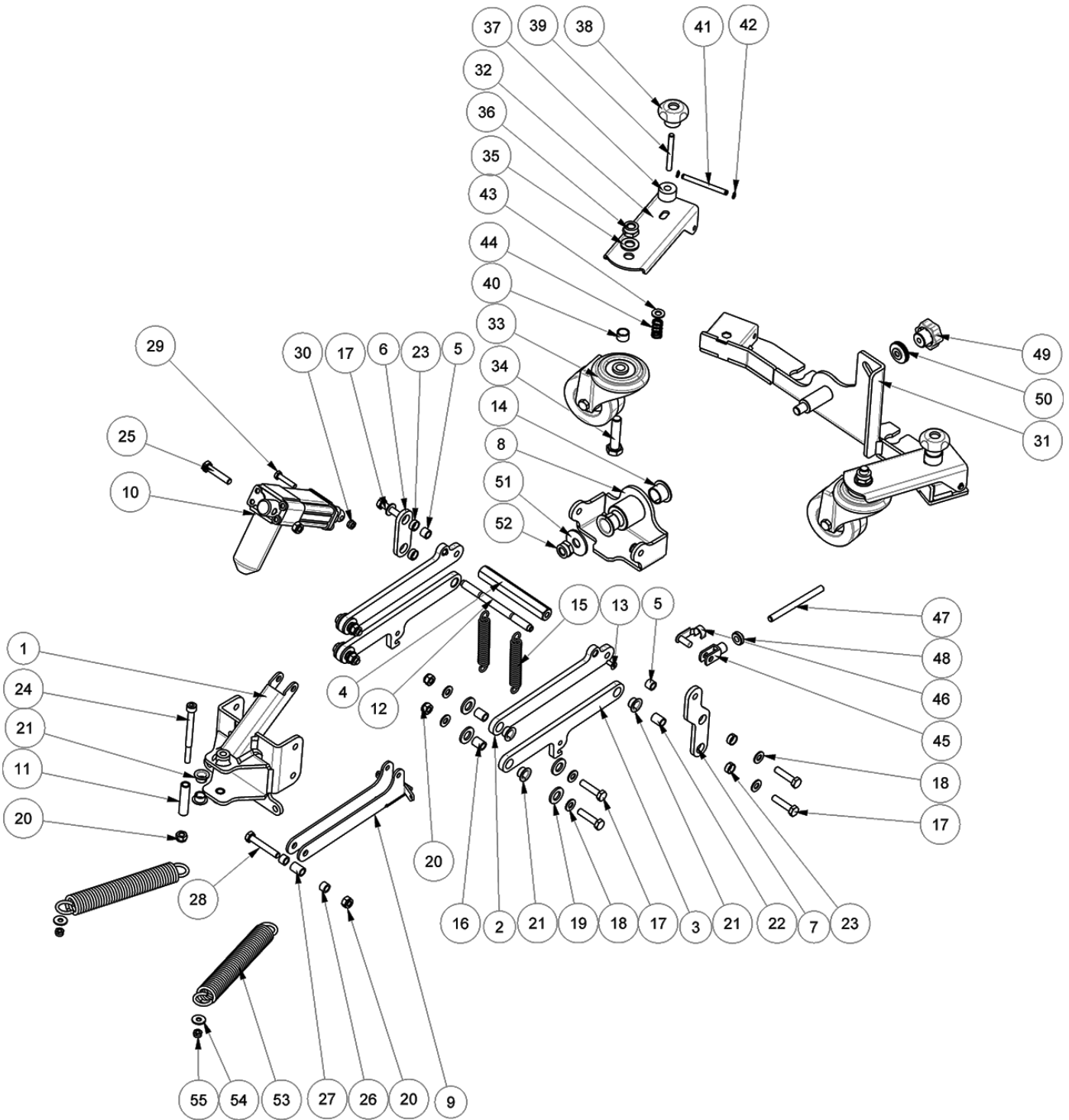
SQUEEGEE LIFT BRACKET GROUP



SQUEEGEE LIFT BRACKET GROUP

Ref.	Part No.	Mfr. Date	Description	Qty.
1	LAFN08809	()	Lever	1
2	LAFN11223	()	Arm	2
3	LAFN11737	()	Arm, Squeegee	2
4	LAFN09239	()	Spacer	1
5	897336	()	Bushing D. 9x12x 8.3	2
6	LAFN11224	()	Rod, Connecting	1
7	LAFN11225	()	Rod, Connecting	1
8	LAFN08812	()	Bracket	1
9	LAFN05777	()	Lever, Lifting, Wiper	1
10	MOCC00394	()	Actuator, Squeegee 36v	1
11	LAFN07879	()	Bushing	1
12	LAFN08808	()	Pin	1
13	897658	()	Screw, M5x12, Tspei, Uni5933	2
14	CUVR44216	()	Bushing Cb 85 2015 31t	2
15	MLML00022	()	Spring Hook Harness	2
16	897526	()	Bushing, Sleeve, 8b 12d 15l	4
17	897243	()	Screw Te M8x35 Uni5739 Inox	8
18	897152	()	Washer, D.8, Uni6592, Inox	14
19	897215	()	Washer, D.12x24, Uni6592, Inox	8
20	VTDD01701	()	Nut M8 Inox+Zin.	9
21	CUVR00130	()	Bearing, Crawling	8
22	LAFN43369	()	Spacer D. 9,12 L 16	2
23	LAFN11228	()	Bushing	4
24	VTVT01701	()	Bolt, Stud	1
25	897536	()	Screw, Te, M.8x40	1
26	LAFN04157	()	Bushing, Joint	2
27	LAFN04139	()	Spacer, Joint, Wiper	1
28	897232	()	Screw, Te, M8x50, Inox, A2	1
29	VTVT00433	()	Screw, M6x30	1
30	897105	()	Nut, M6, Inox	1
31	LAFN11227	()	Support, Squeegee	1
32	LAFN08993	()	Arm, Holder, Wiper	2
33	RTRT00518	()	Wheel Swivel	2
34	VTVT28885	()	Screw Te M 12x 50 Uni 5739 Inox	2
35	897215	()	Washer, D.12x24, Uni6592, Inox	2
36	897241	()	Nut, M.12, Inox, A2	2
37	ABG000042	()	Dampener, Vibration	2
38	VTVR35378	()	Knob F 8max20 D.40	2
39	VTVT01355	()	Screw M8x60 Uni5923	2

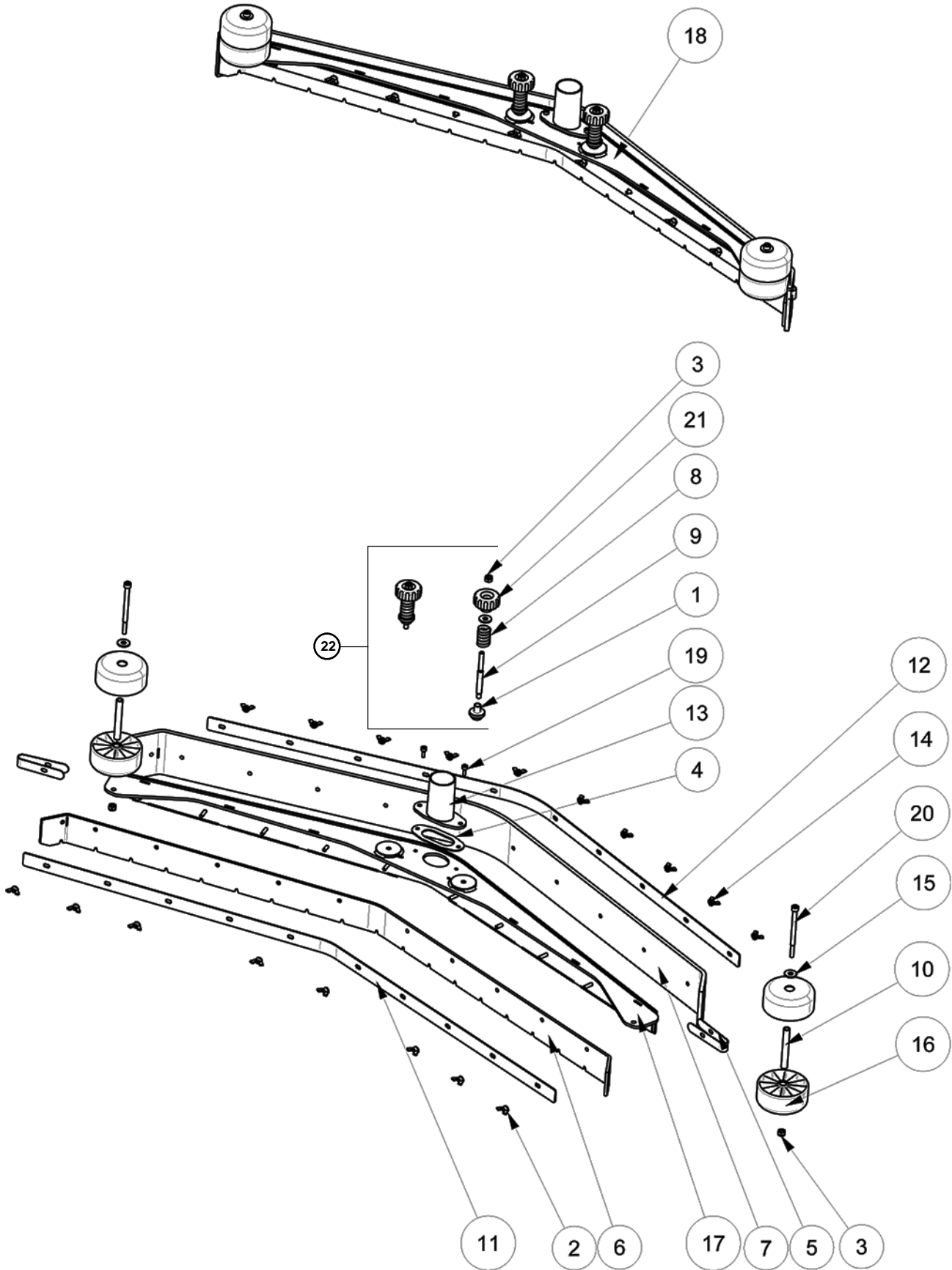
SQUEEGEE LIFT BRACKET GROUP - Contd



SQUEEGEE LIFT BRACKET GROUP - Contd

Ref.	Part No.	Mfr. Date	Description	Qty.
40	LAFN09002	()	Ring	2
41	LAFN04150	()	Pin, Wiper Wheel Arm	2
42	VTAE48552	()	Clip External Din 471 D.6	4
43	897152	()	Washer, D.8, Uni6592, Inox	2
44	MLML00239	()	Spring For Wheel	2
45	CMCV00001	()	Fork Uni 1676 M8x16	1
46	CMCV75718	()	Clip Uni 1676 M8	1
47	CMCV00181	()	Tie Rod M8x100	1
48	LAFN08811	()	Bushing	1
49	VTVT00207	()	Knob M8	1
50	MPVR05839	()	Knob	1
51	897247	()	Washer, D. 12x36x2.5, Uni6593	1
52	897241	()	Nut, M.12, Inox, A2	1
53	MLML00540	()	Spring, Squeegee	2
54	897112	()	Washer, Flat, 6,00x18,00x1,6	2
55	897105	()	Nut, M6, Inox	2

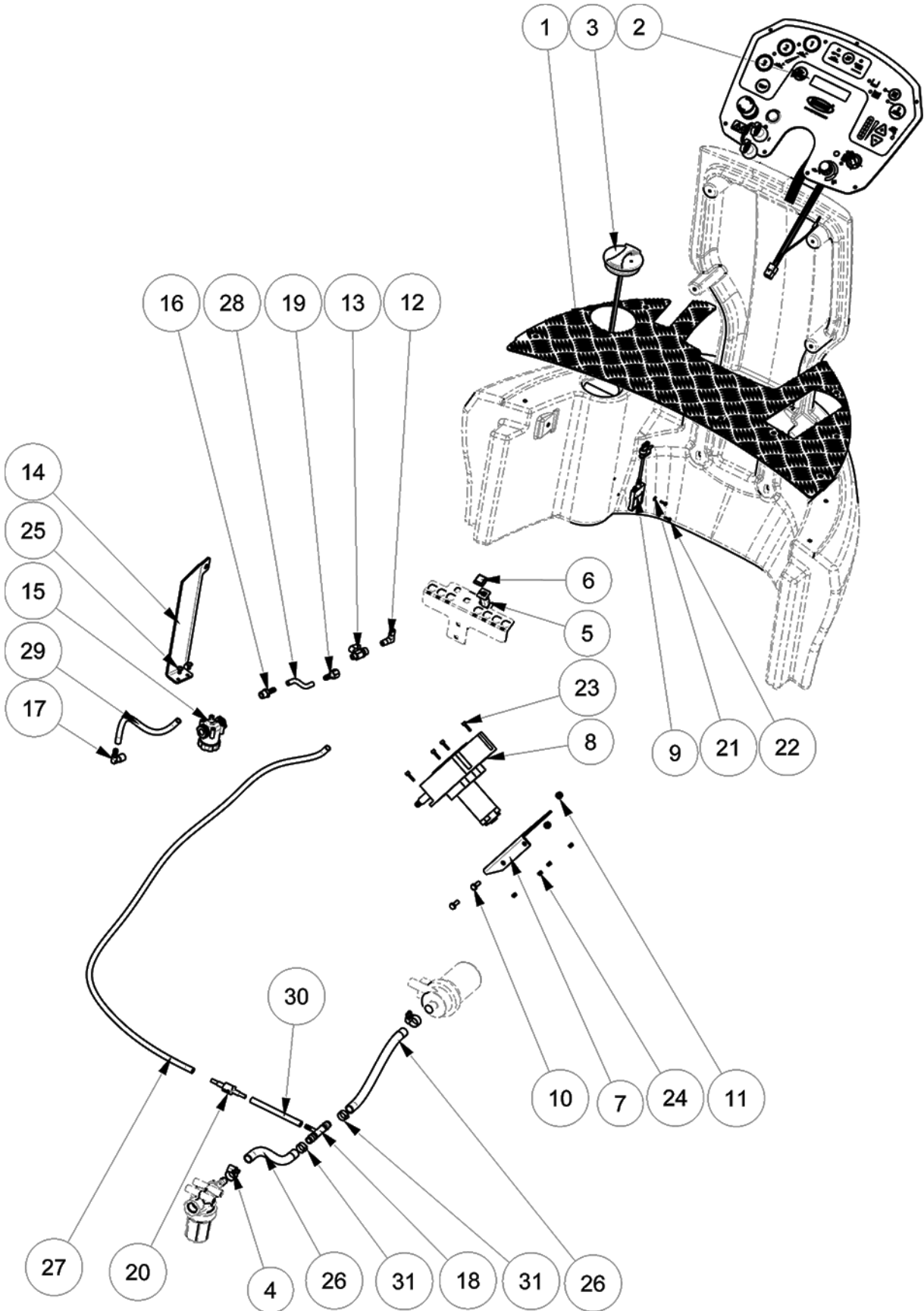
SQUEEGEE GROUP



SQUEEGEE GROUP

Ref.	Part No.	Mfr. Date	Description	Qty.
1	LAFN11395	()	Bushing Squeegee	2
2	VTDD00171	()	Nut M6 Inox	18
3	VTDD01701	()	Nut M8 Inox+Zin.	4
4	GUG006700	()	Gasket Squeegee	1
5	MPVR06002	()	Duct, Lock Flap	2
6	MPVR06557	()	Blade Squeegee Linatex Front (Standard)	1
6	MPVR05908	()	Blade Front Squeegee Latex 230 (Option)	1
6	MPVR05934	()	Blade Squeegee Front Ct230- 105 Pu (Option)	1
7	MPVR06558	()	Blade Squeegee Linatex Rear 105 (Standard)	1
7	MPVR05909	()	Blade Rear Squeegee Latex Ct230 (Option)	1
7	MPVR05935	()	Blade Squeegee Rear Ct230- 105 Pu (Option)	1
8	MLML00502	()	Spring Squeegee	2
9	LAFN11394	()	Pin Squeegee	2
10	LAFN04127	()	Pin, Roller, Bumper	2
11	LAFN08930	()	Fixed Blade Front Nozzle Ct 230 Bt105	1
12	LAFN08931	()	Fixed Blade Rear Nozzle Ct 230 Bt105	1
13	LAFN08938	()	Connector	1
14	897106	()	Washer, Flat, 6,00x11,00x1,6, Ss	18
15	897120	()	Washer, D.8x24, Uni6593, Inox	4
16	RTRT00510	()	Wheel Bumper Ral7040	4
17	LAFN08929	()	Plate, Wiper	1
18	KTRI06595	()	Sqge Assy W/Linatex Blades, 100,105	1
19	897352	()	Screw, Tcei, M.6x16	2
20	VTVT67560	()	Screw Tcei M8x110 Inox Aisi 304	2
21	VTVR00047	()	Knob D.50 M8	2
22	KTRI05628	()	Kit, Knobs, Squeegee	1

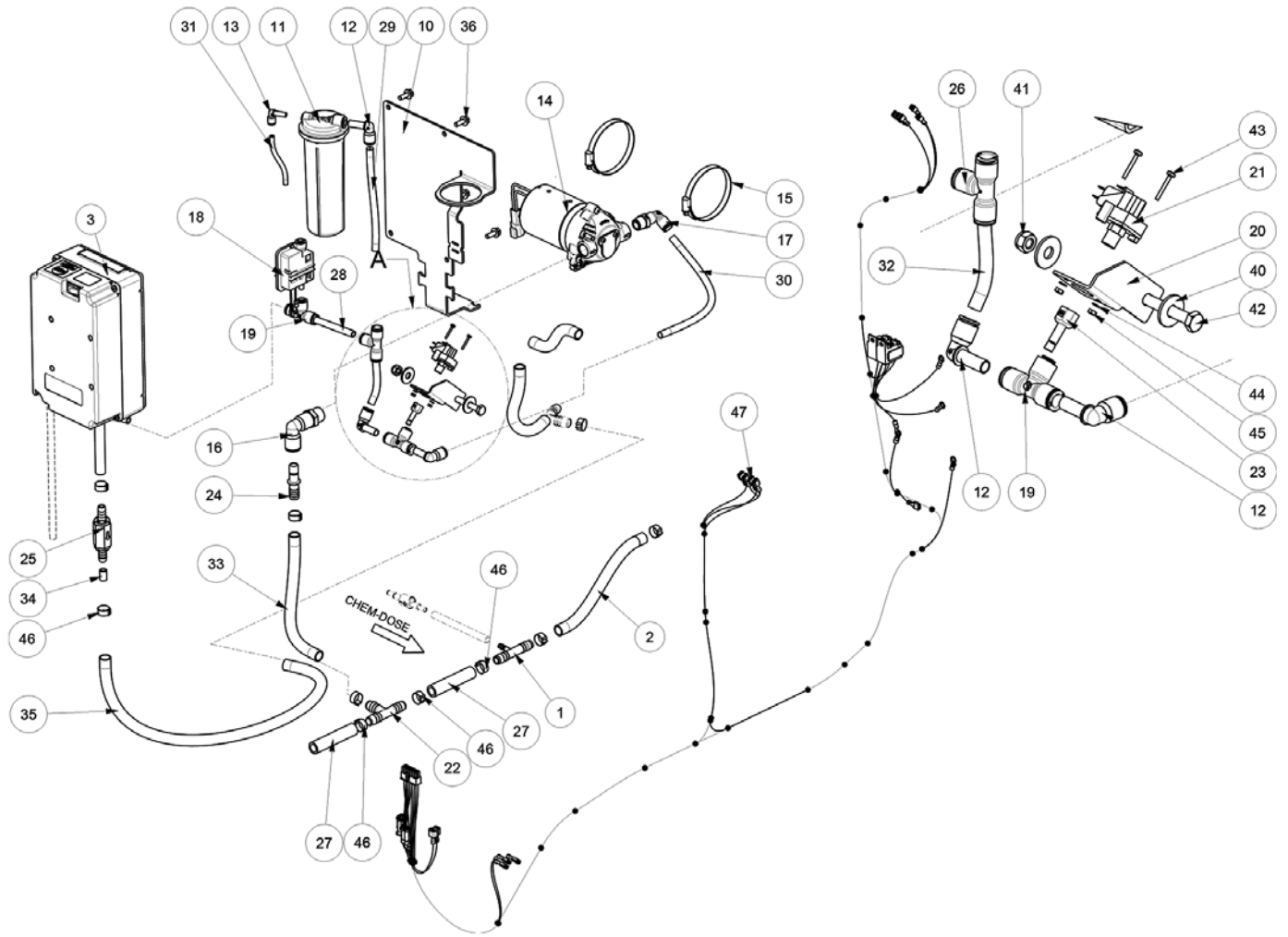
CHEM DOSE GROUP



CHEM DOSE GROUP

Ref.	Part No.	Mfr. Date	Description	Qty.
1	LAFN11897	()	Plate	1
2	MECE00940	()	Panel	1
3	897570	()	Cap, Tank, Solution	1
4	FSVR00096	()	Clamp 10- 16 Inox	2
5	METT00135	()	Fuse 2a	1
6	MEVR02864	()	Cap	1
7	LAFN11921	()	Plate, Sheet Metal	1
8	PPBP00061	()	Pump	1
9	MECI00564	()	Sensor	1
10	897128	()	Screw Te 6x16 Uni5739	2
11	897105	()	Nut, M6, Inox	2
12	RCVR00787	()	Connector	1
13	897578	()	Hose, Valve, A Sfera, Mf, 1/8	1
14	LAFN11930	()	Bracket	1
15	9018511	()	Filter, Water, Compl	1
16	897677	()	Connector	1
17	RCVR01155	()	Connector 1/4	1
18	RCVR00745	()	Fitting, Tee, Detgt	1
19	RCVR01156	()	Connector 1/8	1
20	RCGR00079	()	Valve	1
21	VTRS00385	()	Washer Uni 6592 3,2x7x0,5 Inox	2
22	897203	()	Screw	2
23	VTVT01556	()	Screw M4x16 Uni5931 A2	4
24	897276	()	Nut, M4, Atb, A2	4
25	VTVT01432	()	Screw 50x10	2
26	TBBP00753	()	Hose D.12x3 L=230	2
27	TBBP00757	()	Hose 7x10 L=1050	1
28	TBBP00757	()	Hose 7x10 L=1050	1
29	TBBP00757	()	Hose 7x10 L=1050	1
30	TBBP00757	()	Hose 7x10 L=1050	1
31	FSVR00255	()	Clamp, Head	2

ec- H2O NANOCLEAN GROUP

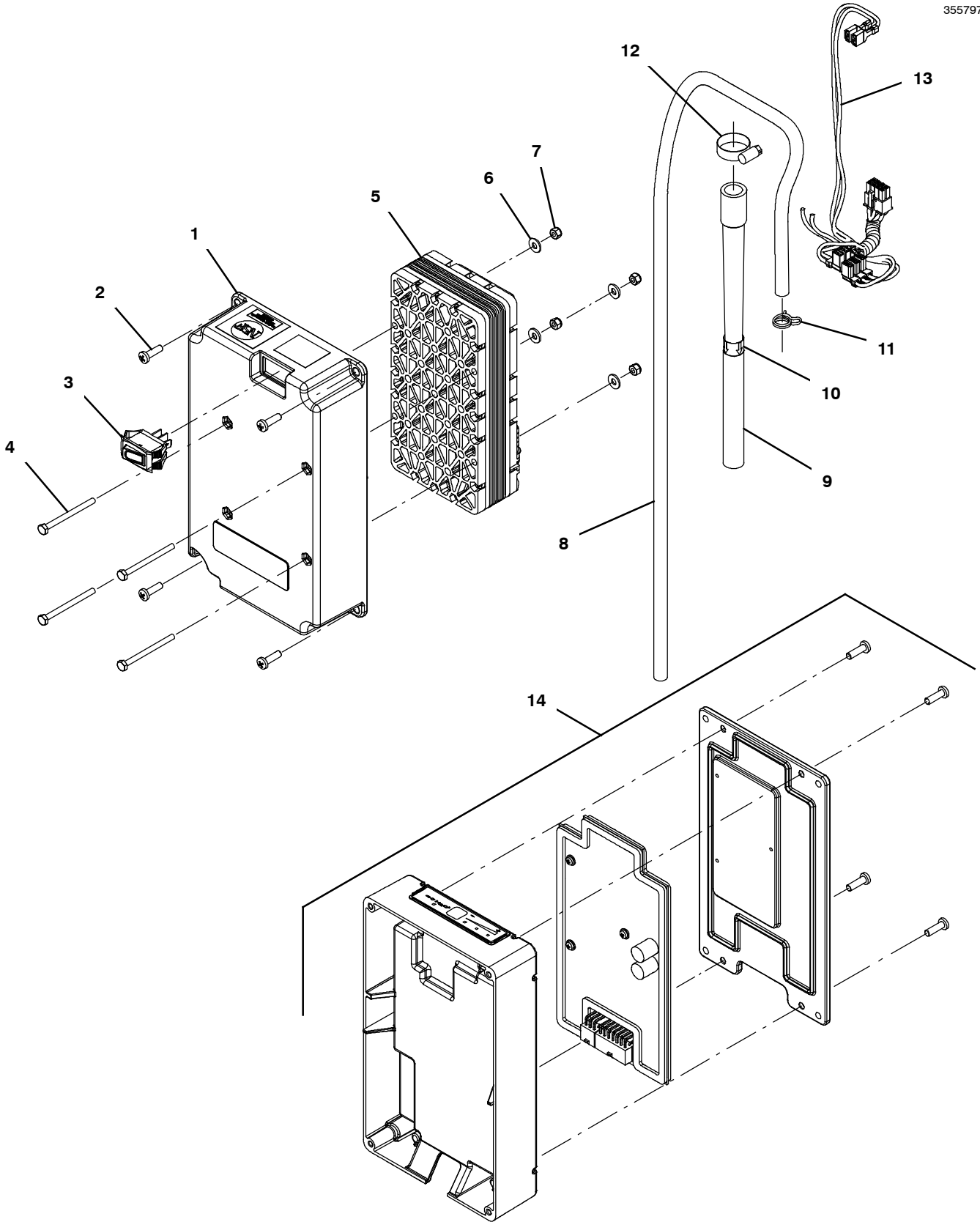


ec- H2O NANOCLEAN GROUP

Ref.	Part No.	Mfr. Date	Description	Qty.
1	RCVR00745	()	Fitting, Tee, Detgt	1
2	TBBP00753	()	Hose D.12x3 L=230	1
3	9021553	()	Module Kit, Replmt [Ec- H2o, B02] (See Breakdowns) (Includes Cartridge 9013646)	1
10	LAFN11960	()	Plate, Sheet Metal	1
11	9013646	()	Cartridge, Ec- H2o Nanoclean Wcm, 270ml	1
12	1215186	()	Fitting, Plstc, E90, Qf06/Qm06	3
13	1214339	()	Fitting, Plstc, E90, Qfo4/Qm04	1
14	1210517	()	Pump, Soltn, Ele, 24vdc, 35 Psi	1
15	FSVR00083	()	Clamp 62- 82	2
16	1212987	()	Fitting, Plstc, E90, Qf08/Pm06, Swivel	1
17	1212812	()	Fitting, Plstc, E90, Qf06/Pm06, Swivel	1
18	1216973	()	Pump Assy, Dispenser	1
19	1212855	()	Fitting, Plstc, Tee, Qf04/Qf06/Qf06	2
20	LAFN11961	()	Plate, Sheet Metal	1
21	1044415	()	Switch, Press, 20psi, Pm02	1
22	897268	()	Connector 3 Vie	2
23	1231855	()	Fitting, Plstc, Str, Qm04/Pf02	1
24	1212807	()	Fitting, Plstc, Str, Qm08/Bm08	1
25	1257575	()	Valve, Check, 0003psi Bm06/Bm06	1
26	1212573	()	Fitting, Plstc, Tee, Qf06/Qf06/Qf06	1
27	TBBP00753	()	Hose D.12x3 L=230	2
28	TBBP00761	()	Hose 3/8 L=242	1
29	TBBP00762	()	Hose L=146	1
30	TBBP00761	()	Hose 3/8 L=242	1
31	TBBP00762	()	Hose L=146	1
32	TBBP00764	()	Hose 3/8 L=80	1
33	TBBP00753	()	Hose D.12x3 L=230	1
34	TBBP00757	()	Hose 7x10 L=1050	1
35	TBBP00753	()	Hose D.12x3 L=230	1
36	VTVT62920	()	Screw Te F/Rond. M 6x 16 Zb	4
40	897120	()	Washer, D.8x24, Uni6593, Inox	2
41	VTDD01701	()	Nut M8 Inox+Zin.	2
42	VTVT00728	()	Screw Te M. 8- 55	1
43	VTVT00633	()	Screw M 3x 20 Tcb- Tc Bk.U.7687	2
44	897190	()	Washer, D.3	2
45	897189	()	Nut, M3, Inox	2
46	FSVR00255	()	Clamp, Head	8
47	MECB02370	()	Wiring	1

ec- H2O NANOCLEAN MODULE BREAKDOWN 9021553

355797



ec- H2O NANOCLEAN MODULE BREAKDOWN 9021553

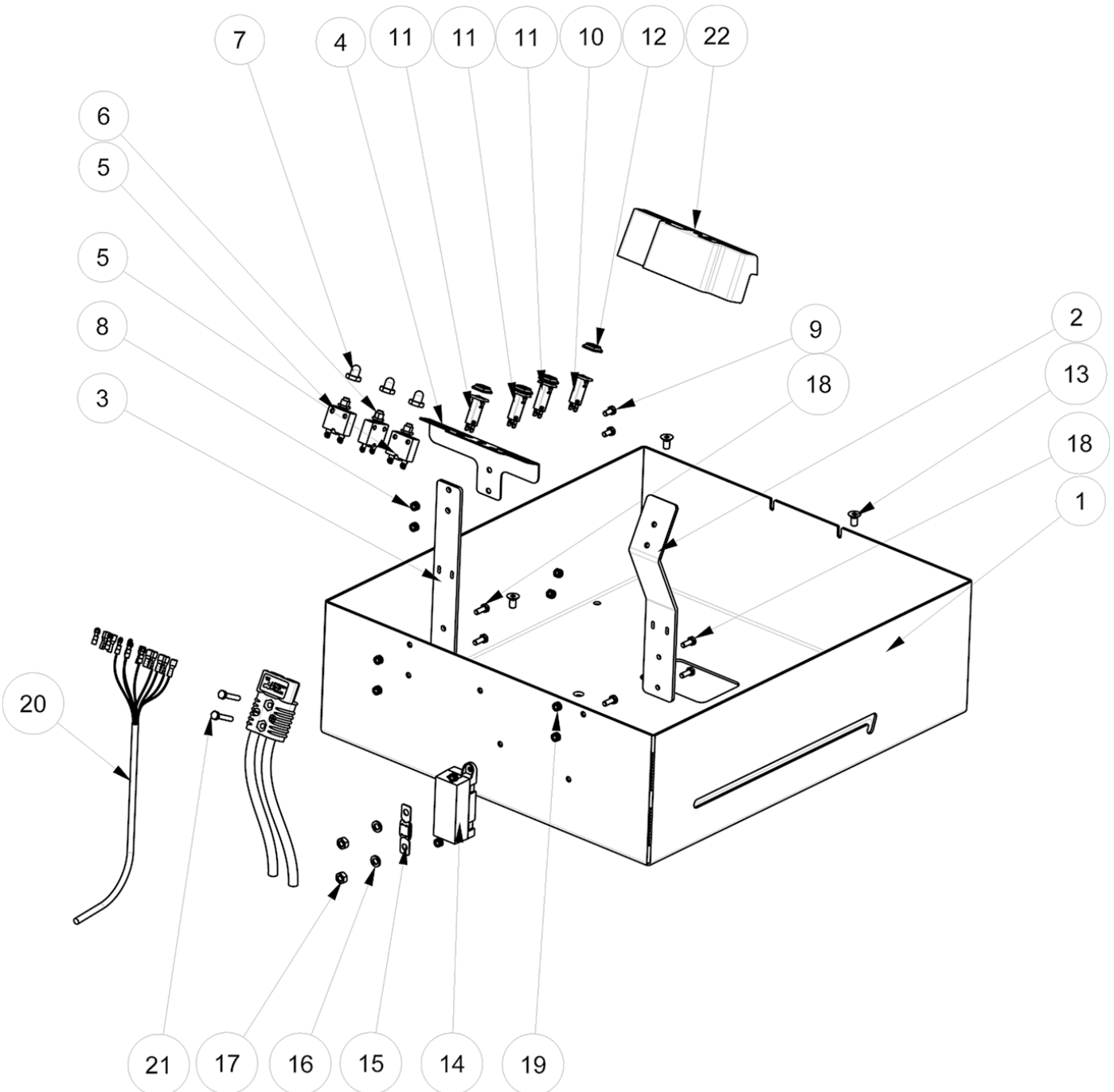
Ref.	Part No.	Mfr. Date	Description	Qty.
▽	9021553	()	Module Kit, Replmt [Ec- H2o, B 02] (Includes ec- H2O NanoClean Cartridge)	1
▲▽	9014126	()	Ec- H2o Nc Kit [Module B, Plumbing]	1
▲▲	1 1208823	()	Housing, Module, Upper, Ec- H2o	1
▲▲	2 1015506	()	Screw, Pan, Phl, M5 X 16, Tcut [Plastic]	4
▲▲	3 1044393	()	Switch, Rocker, Spst, Mom	1
▲▲	4 32509	()	Screw, Hex, M4 X 0.70 X 50, Ss	4
▲▲	5 1233516	()	Electrode, 5 Plate [De Nora Tech]	1
▲▲	6 41579	()	Washer, Flat, 08, Ss	4
▲▲	7 33932	()	Nut, Hex, Lock, M4 X 0.70, Ni, Ss	4
▲▲	8 1006415	()	Hose, Afrmkt, Pvc, Clr, 0.25id, 03ft	1
▲▲	9 1208526	()	Hose, Molded, Bm08/Bm06	1
▲▲	10 1049637	()	Label, Direction [Ec- H2o]	1
▲▲	11 613735	()	Clamp, Hose, Wir, .40 - .42, Yel	1
▲▲	12 54333	()	Clamp, Hose, Wormdrive, 0.31- 0.88d, .31w	1
▲▲	13 1073286	()	Harness, Ele, Module B2 [Ec- H2o]	1
▲	14 9021552	()	Controller Kit, Replmt [Ec- H2o Nc] (Includes ec- H2O NanoClean Cartridge)	1

▽ ASSEMBLY

▲ INCLUDED IN ASSEMBLY

STANDARD PARTS

BATTERY COMPARTMENT GROUP (105cm Disk Model)

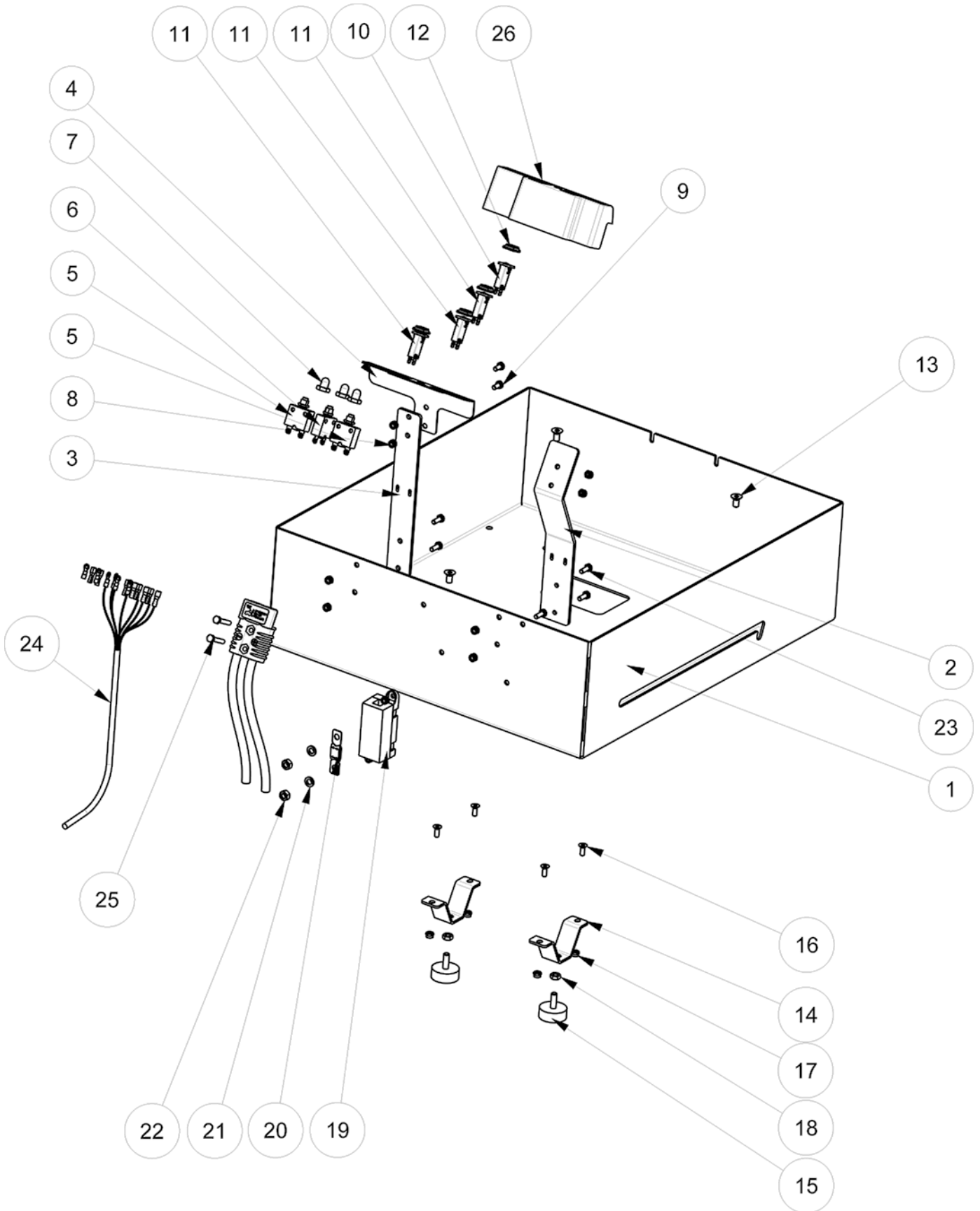


BATTERY COMPARTMENT GROUP (105cm Disk Model)

Ref.	Part No.	Mfr. Date	Description	Qty.
1	LAFN11891	()	Housing	1
2	LAFN11892	()	Bracket	1
3	LAFN11893	()	Support	1
4	LAFN11894	()	Bracket	1
5	METT00138	()	Fuse 50a	2
6	METT00132	()	Fuse 30a	1
7	MEVR02900	()	Cap Circuit Breaker	3
8	897105	()	Nut, M6, Inox	2
9	897130	()	Screw, Te, M6x12, Uni5739, A2	2
10	METT00137	()	Fuse 4a	1
11	METT00136	()	Fuse 3a	3
12	MEVR02864	()	Cap	4
13	897394	()	Screw, Tspei, M8x16	3
14	MEVR00146	()	Fuse Box	1
15	MEVR01925	()	Fuse 150a	1
16	897216	()	Washer, D. 8, Grw, Uni1751, Inox	2
17	897229	()	Nut, M8, Uni5588, Inox, A2	2
18	897128	()	Screw Te 6x16 Uni5739	6
19	897105	()	Nut, M6, Inox	8
20	MECB02350	()	Wiring (Main Harness)	1
21	897321	()	Screw, M6x35, Uni5739, Inox	2
22	MPVR13591	()	Cover	1

STANDARD PARTS

BATTERY COMPARTMENT GROUP (100cm Cylindrical Brush Model)

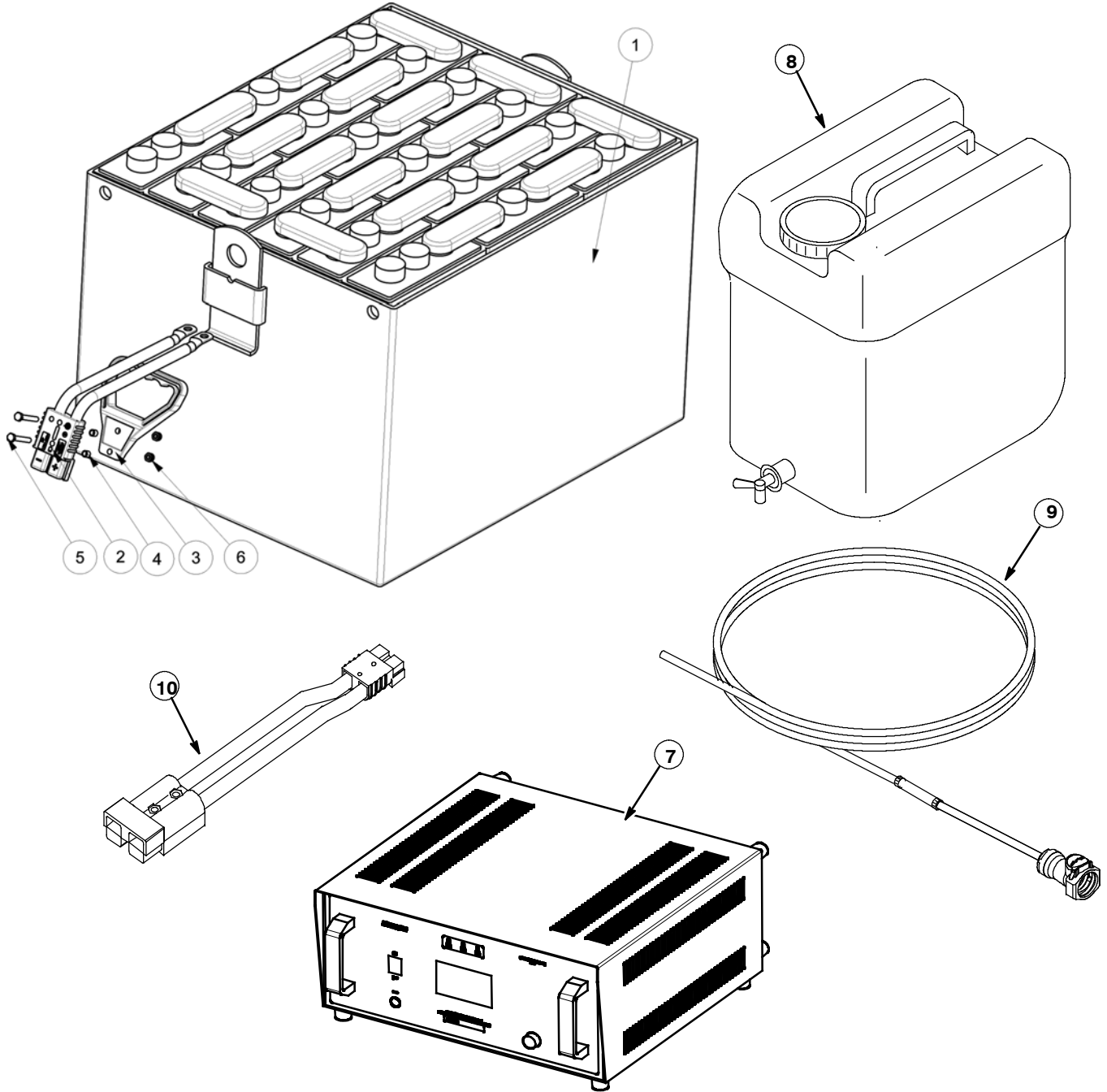


BATTERY COMPARTMENT GROUP (100cm Cylindrical Brush Model)

Ref.	Part No.	Mfr. Date	Description	Qty.
1	LAFN11891	()	Housing	1
2	LAFN11892	()	Bracket	1
3	LAFN11893	()	Support	1
4	LAFN11894	()	Bracket	1
5	METT00138	()	Fuse 50a	2
6	METT00132	()	Fuse 30a	1
7	MEVR02900	()	Cap Circuit Breaker	3
8	897105	()	Nut, M6, Inox	2
9	897130	()	Screw, Te, M6x12, Uni5739, A2	2
10	METT00137	()	Fuse 4a	1
11	METT00136	()	Fuse 3a	3
12	MEVR02864	()	Cap	4
13	897394	()	Screw, Tspei, M8x16	3
14	LAFN11895	()	Support	2
15	ABG000026	()	Vibration Damp	2
16	VTVT00832	()	Screw Tspei M6x16 Inox	4
17	897105	()	Nut, M6, Inox	12
18	VTDD00530	()	Nut M8 Uni 5589	2
19	MEVR00146	()	Fuse Box	1
20	MEVR01925	()	Fuse 150a	1
21	897216	()	Washer, D. 8, Grw, Uni1751, Inox	2
22	897229	()	Nut, M8, Uni5588, Inox, A2	2
23	897128	()	Screw Te 6x16 Uni5739	6
24	MECB02350	()	Wiring (Main Harness)	1
25	897321	()	Screw, M6x35, Uni5739, Inox	2
26	MPVR13591	()	Cover	1

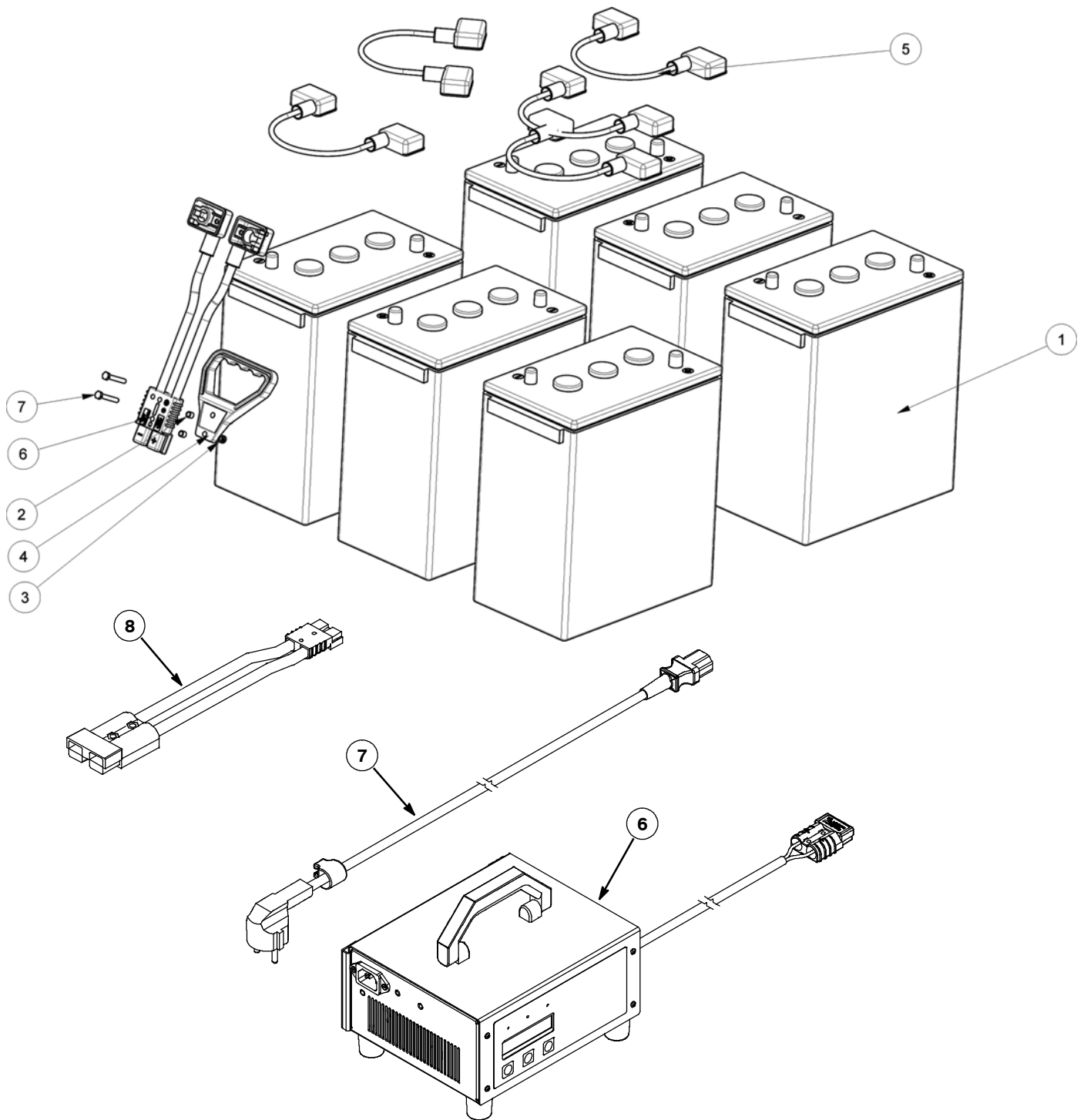
STANDARD PARTS

BATTERY GROUP, PACK WET, 36V 320A/C5



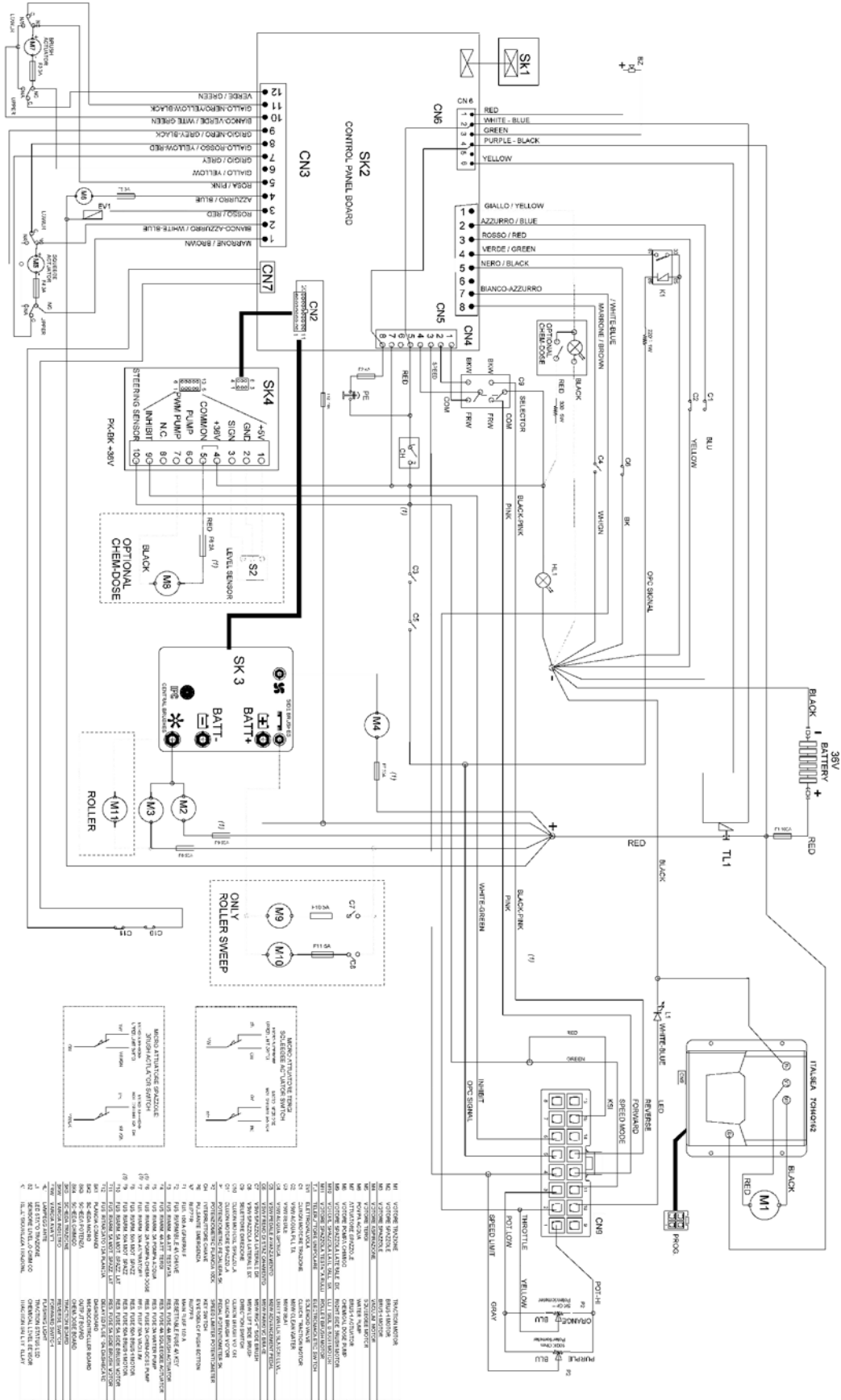
Ref.	Part No.	Mfr. Date	Description	Qty.
1	BAAC00113	()	Battery 36v 320a/C5 With Filling	1
2	MECB07611	()	Cable, Battery, Connector	1
3	MPVR01072	()	Handle Sb 175 A	1
4	897231	()	Bushing	2
5	VTVT15145	()	Screw Te 6x40 Uni5739 Inx	2
6	897105	()	Nut, M6, Inox	2
7	BACA00127	()	Charger, Battery Cbn4 36v 35a Wa	1
8	MPVR13257	()	Tank, Battery	1
9	TBBP00475	()	Tube, Battery	1
10	223679	()	Cable Assy, 06GA Red/Blk. 050A/175A	1

BATTERY GROUP, GEL 6V 240A/C5



Ref.	Part No.	Mfr. Date	Description	Qty.
1	BAAC00017	()	Battery, GEL, 240AH, 6V	6
2	897231	()	Bushing	2
3	897105	()	Nut, M6, Inox	2
4	MPVR01072	()	Handle Sb 175 A	1
5	897205	()	Wiring Battery Bridge W/Terminal	5
6	BACA00289	()	Charger, 36vdc 30a, Gel Batteries	1
7	1043746	()	Cable, Charger Eu, Bc5 & Bc7	1
7	1041716	()	Cable, Charger Uk, Bc5 & Bc7	1
8	223679	()	Cable Assy, 06GA Red/Blk. 050A/175A	1

ELECTRICAL DIAGRAM



ELECTRICAL DIAGRAM, WITH ec- H2O

